

We are so happy you chose a  
hama product.

***Enjoy using it!***

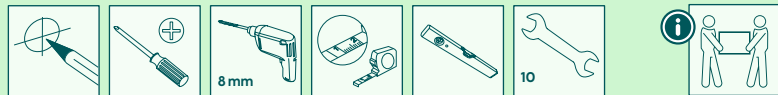
***hama***



00  
220810

# Quick Installation Guide

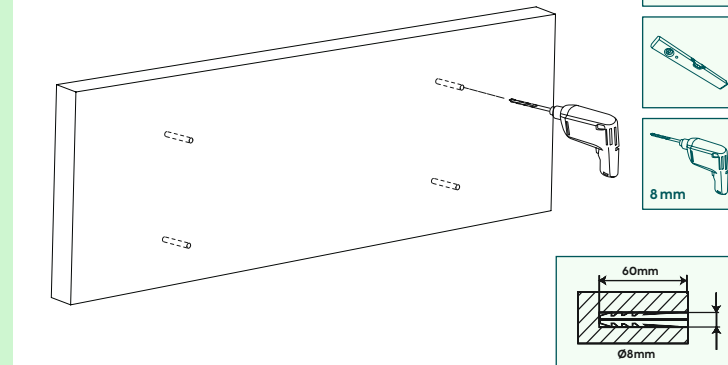
## Required tools



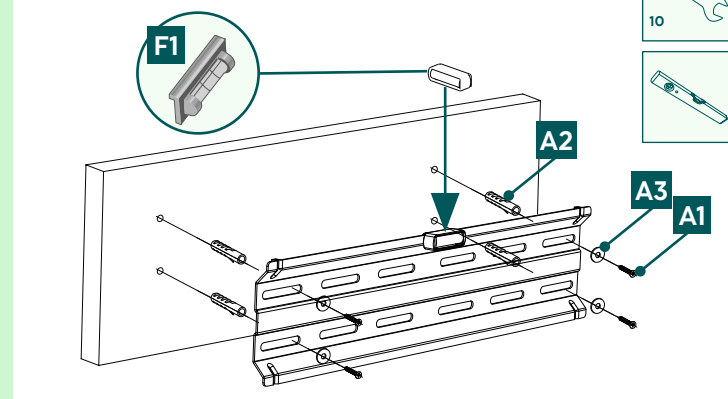
## Installation kit

<b>A1</b>		6x60 (x4)	<b>D1</b>		M8x12 (x4)
<b>A2</b>		Ø8x50 (x4)	<b>D2</b>		M8x20 (x4)
<b>A3</b>		M6 (x4)	<b>D3</b>		M8x30 (x4)
<b>B1</b>		M6 (x4)	<b>D4</b>		M8x50 (x4)
<b>B2</b>		Ø8x10 (x4)	<b>E1</b>		M4x12 (x4)
<b>B3</b>		Ø8x20 (x4)	<b>E2</b>		M4x20 (x4)
<b>C1</b>		M6x12 (x4)	<b>F1</b>		(x1)
<b>C2</b>		M6x20 (x4)			

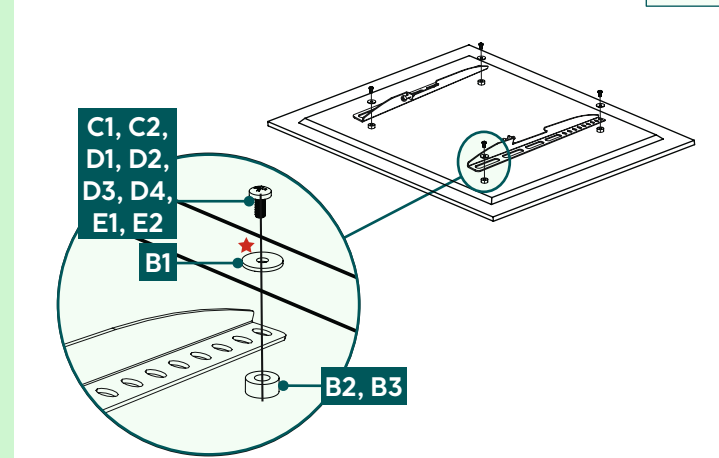
## 1a Drilling the holes



## 1a Wall mounting the bracket



## 1a Mounting on backside of the TV



### Flat TV backside

C1, D1, D4, E1 + B1

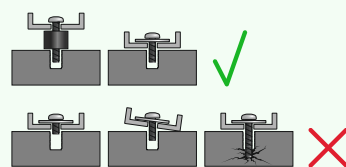
M8x50 + Ø8x5 = M8x45 (D4)

### Curved TV backside

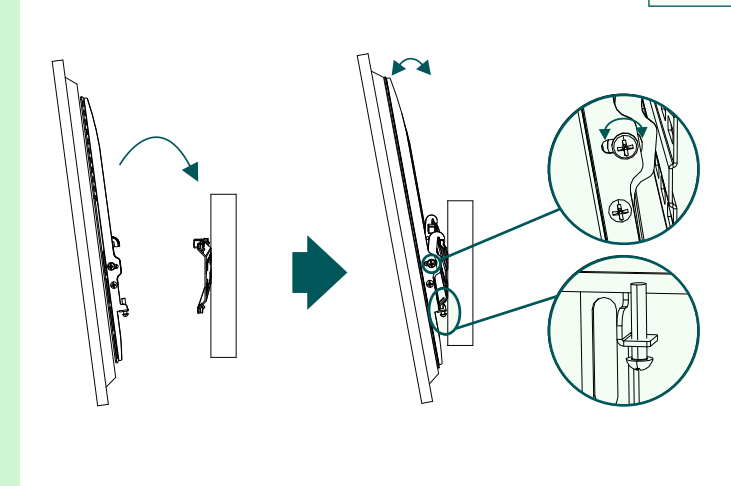
C2, D2, D4, E2 + B1 + B2

D3, D4 + B3

★ You do not need a washer for the D-screws



## 1a Adjustment & Fixing



Do you need more help?



Scan QR or visit:  
[support.hama.com/00220810](http://support.hama.com/00220810)

