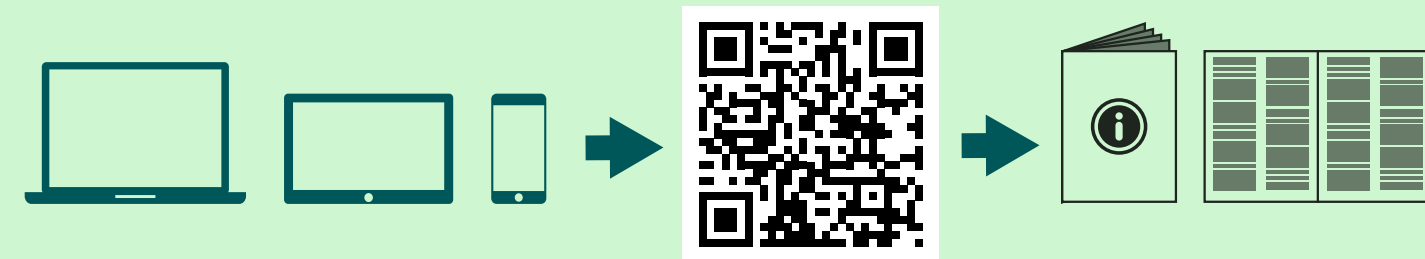


 Do you need more help?



Scan QR or visit:
support.hama.com/00220811

We are so happy you chose a hama product.

Enjoy using it!



Raccolta Carta



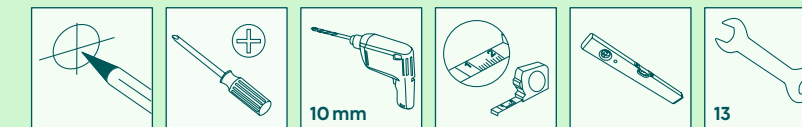
hama



00
220811

Quick Installation Guide

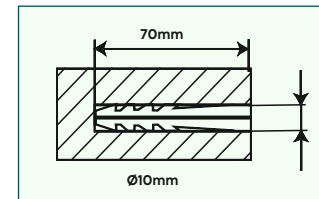
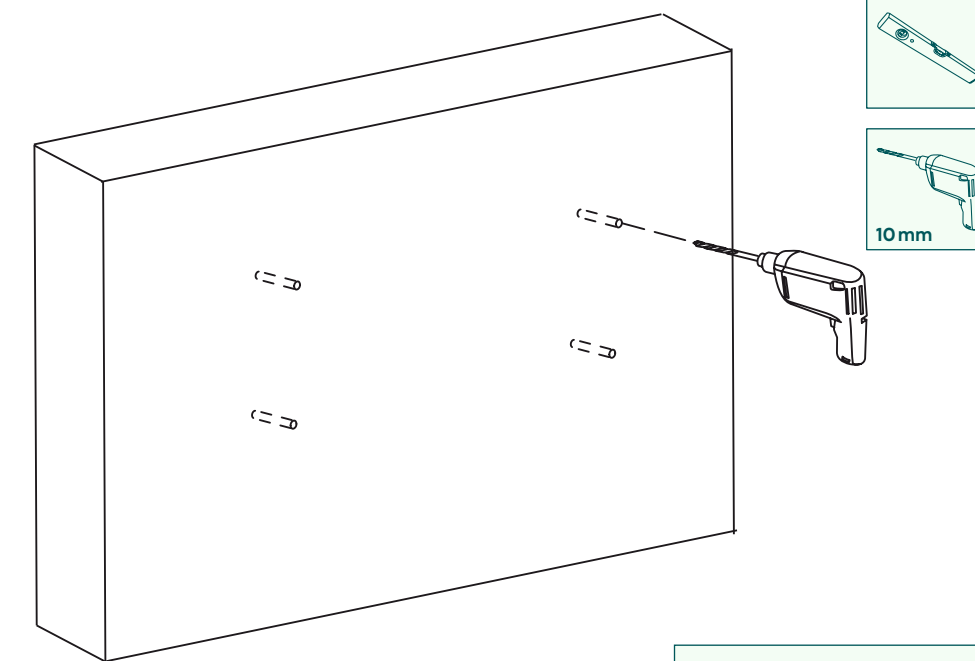
Required tools



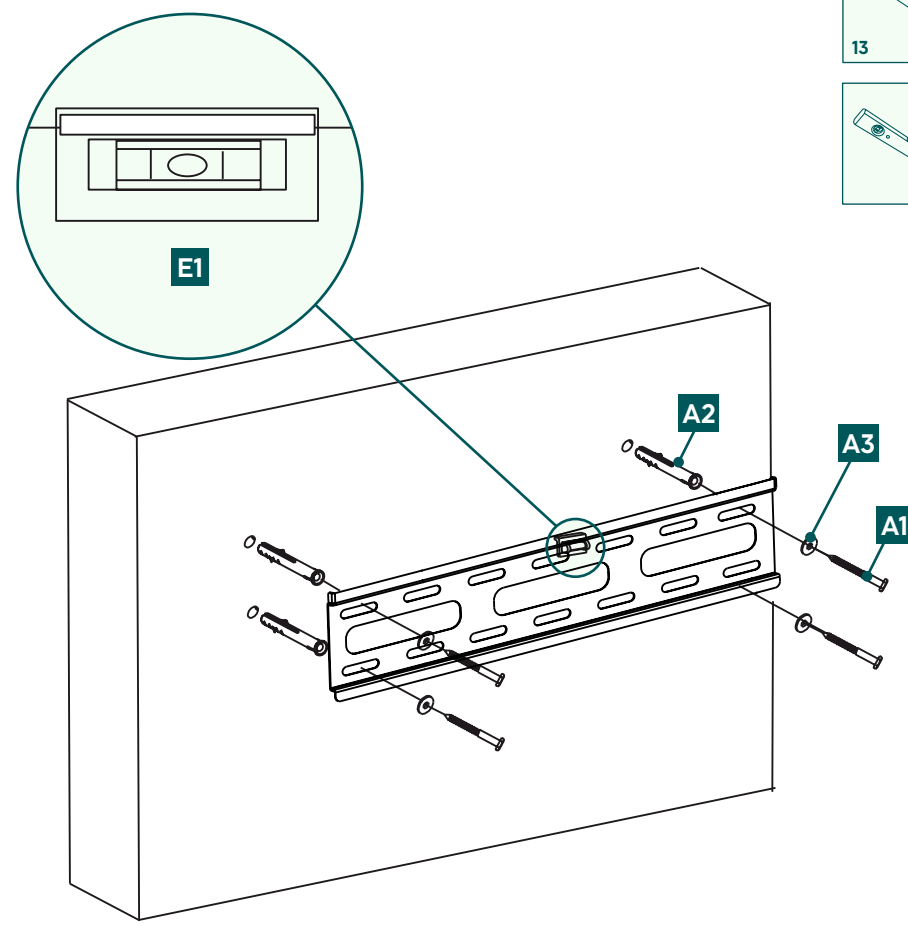
Installation kit

A1		8x70 (x4)	C2		M6x20 (x4)
A2		Ø10x60 (x4)	D1		M8x12 (x4)
A3		M8 (x4)	D2		M8x20 (x4)
B1		M6 (x4)	D3		M8x30 (x4)
B2		Ø8x10 (x4)	D4		M8x50 (x4)
B3		Ø8x20 (x4)	E1		(x1)
C1		M6x12 (x4)			

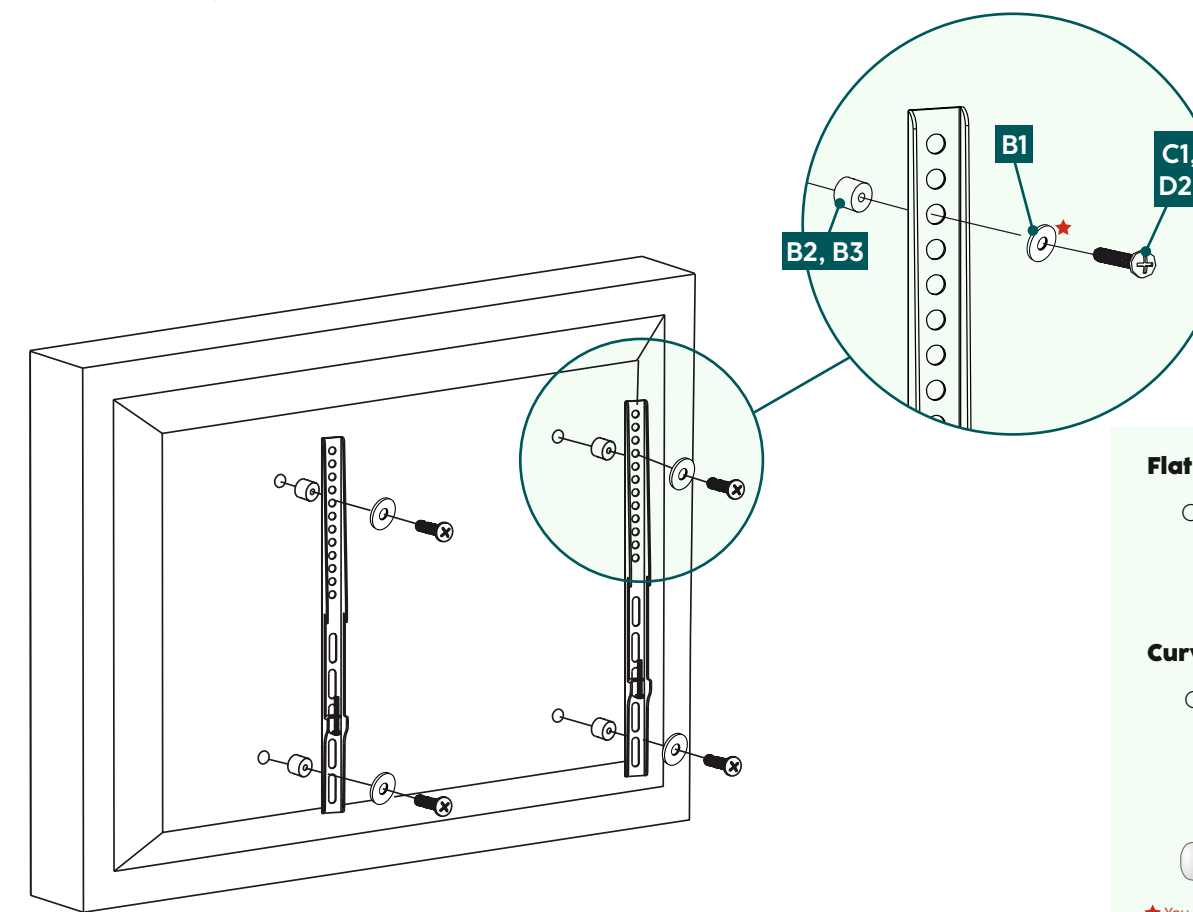
1 Drilling the holes



2 Wall mounting the bracket



3 Mounting on backside of the TV



Flat TV backside

C1, D1, D4 + B1

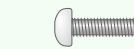


Curved TV backside

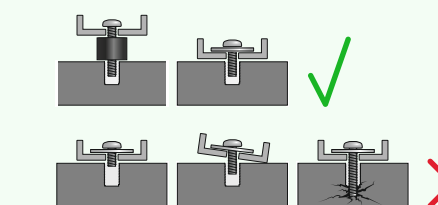
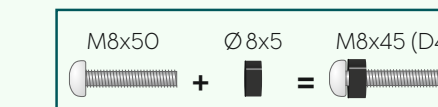
C2, D2, D4 + B1 + B2



D3, D4 + B3



★ You do not need a washer for the D-screws



4 Adjustment & Fixing

