

We are so happy you chose a  
hama product.

***Enjoy using it!***

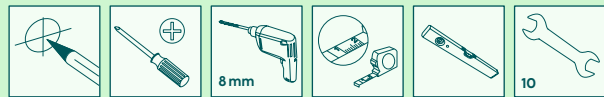
***hama***



00  
220813

# Quick Installation Guide

## Required tools

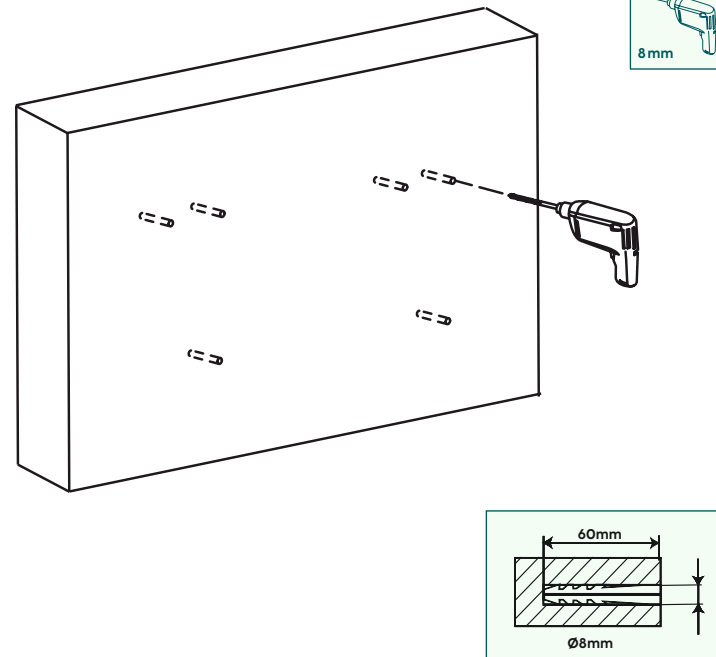


## Installation kit

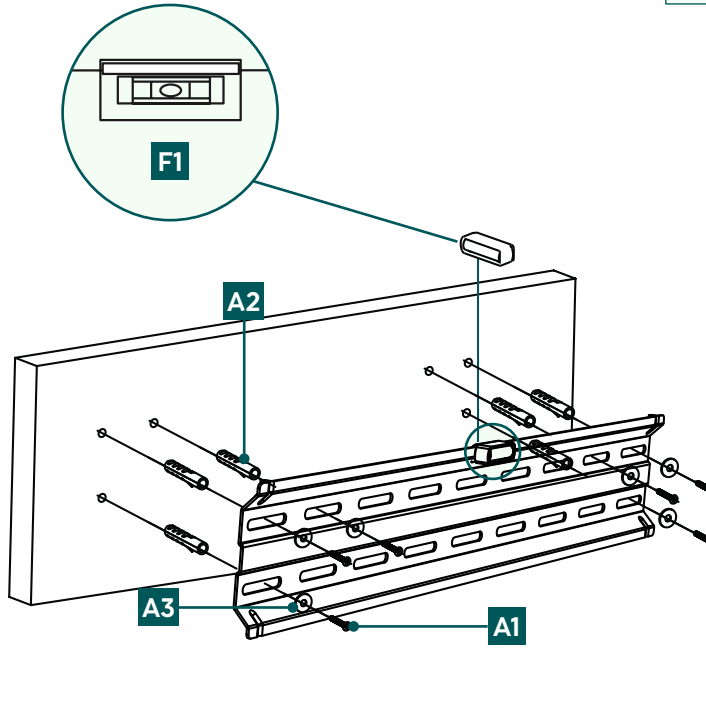
<b>A1</b>		6x60 (x6)	<b>C2</b>		M6x20 (x4)
<b>A2</b>		Ø8x50 (x6)	<b>D1</b>		M8x12 (x4)
<b>A3</b>		M6 (x6)	<b>D2</b>		M8x20 (x4)
<b>B1</b>		M6 (x4)	<b>D3</b>		M8x30 (x4)
<b>B2</b>		Ø8x10 (x4)	<b>D4</b>		M8x50 (x4)
<b>B3</b>		Ø8x20 (x4)	<b>F1</b>		(x1)
<b>C1</b>		M6x12 (x4)			



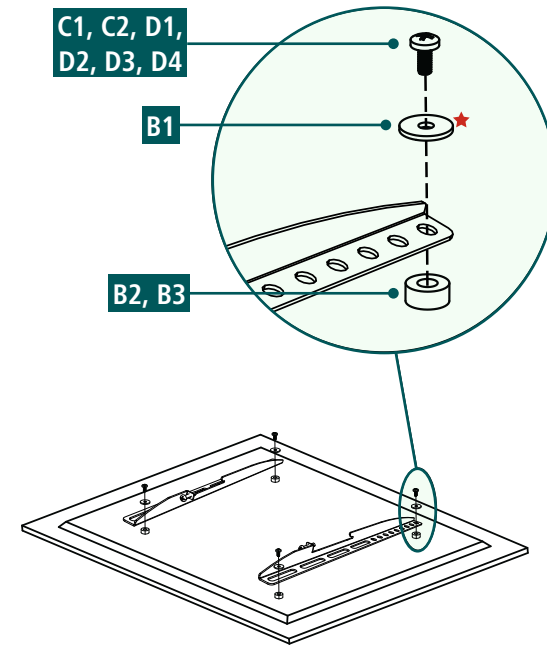
## 1 Drilling the holes



## 2 Wall mounting the bracket



## 3 Mounting on backside of the TV



### Flat TV backside

C1, D1, D4 + B1

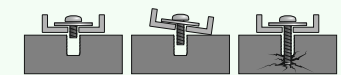
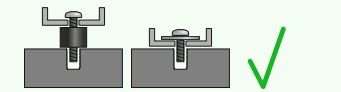
### Curved TV backside

C2, D2, D4 + B1 + B2

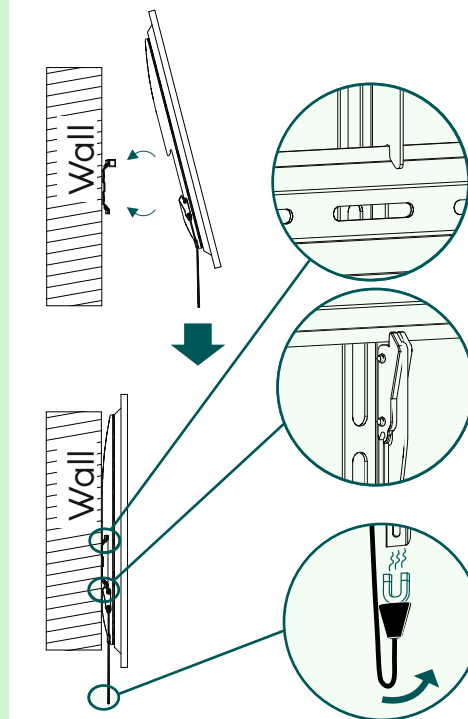
D3, D4 + B3

★ You do not need a washer for the D-screws

M8x50 + Ø8x5 = M8x45 (D4)



## 4 Adjustment & Fixing



Do you need more help?



Scan QR or visit:  
[support.hama.com/O0220813](http://support.hama.com/O0220813)



Raccolta Carta