

We are so happy you chose a
hama product.

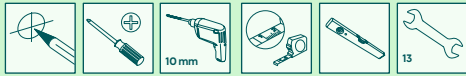
Enjoy using it!

hama



Quick Installation Guide

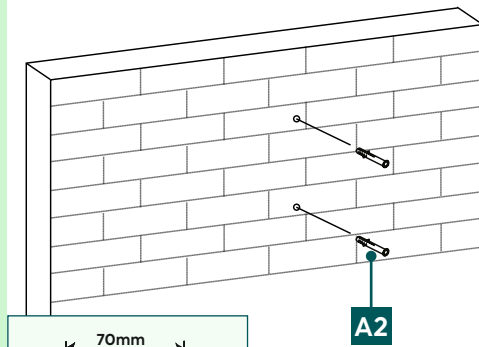
Required tools



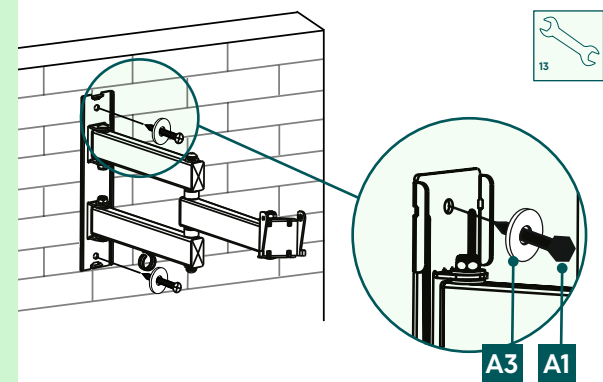
Installation kit

A1		8x70 (x2)	D2		M8x20 (x4)
A2		Ø10x60 (x2)	D3		M8x30 (x4)
A3		M8 (x2)	E1		M4x12 (x4)
B1		M6 (x4)	E2		M4x20 (x4)
B2		Ø8x10 (x4)	E3		M4x45 (x4)
B3		Ø8x20 (x4)	F1		M6x12 (x2)
C1		M6x12 (x4)	F2		M6 (x2)
C2		M6x20 (x4)	F3		(x2)
D1		M8x12 (x4)			

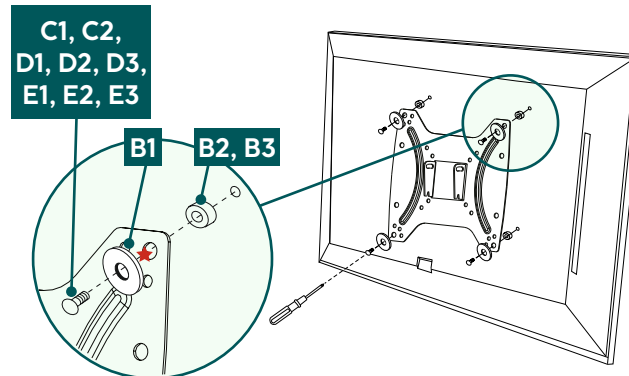
1a Drilling the holes



1b Wall mounting the bracket



2 Mounting on backside of the TV



Flat TV backside

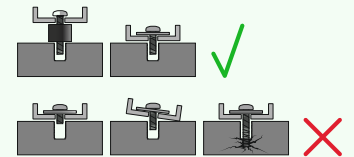
C1, D1, E1, E3 + B1

Curved TV backside

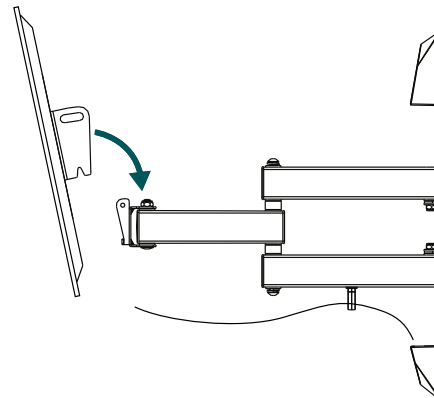
C2, D2, E2, E3 + B1 + B2

D3, E3 + B3

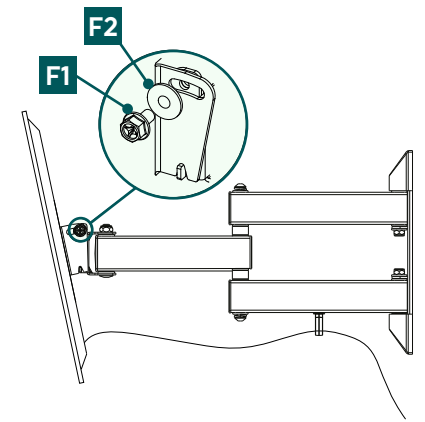
★ You do not need a washer for the D-screws



3a Adjustment



3b Fixing



Do you need more help?



Scan QR or visit:
support.hama.com/O0220822

