

We are so happy you  
chose a hama product.

***Enjoy using it!***

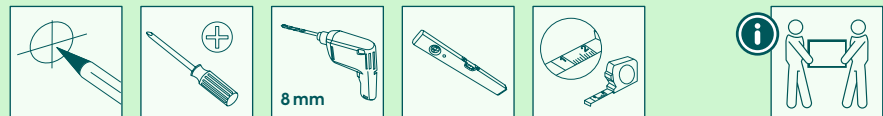
***hama***

00  
220827

# Quick Installation Guide



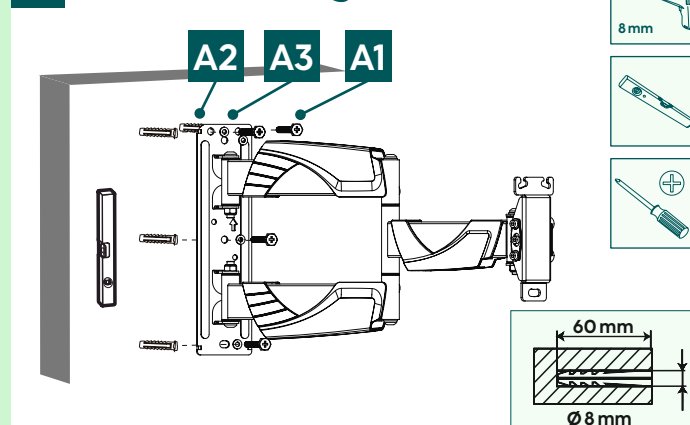
## Required tools



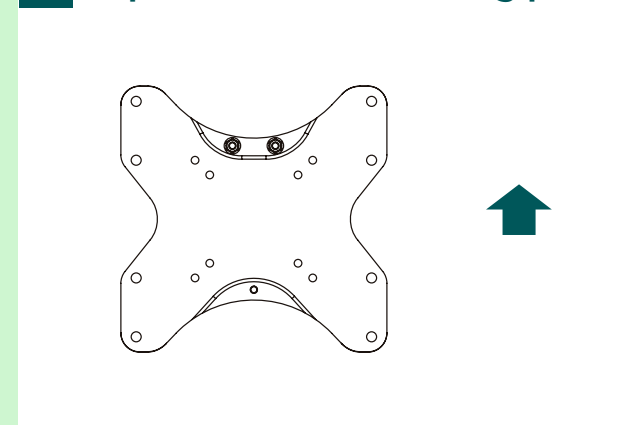
## Installation kit

<b>A1</b>		6x55 (x4)	<b>D1</b>		M8x12 (x4)
<b>A2</b>		Ø8x50 (x4)	<b>D2</b>		M8x20 (x4)
<b>A3</b>		M6 (x4)	<b>D3</b>		M8x30 (x4)
<b>B1</b>		M6 (x4)	<b>E1</b>		M4x12 (x4)
<b>B2</b>		Ø8x10 (x4)	<b>E2</b>		M4x20 (x4)
<b>B3</b>		Ø8x20 (x4)	<b>E3</b>		M4x45 (x4)
<b>C1</b>		M6x12 (x4)	<b>F1</b>		(x1)
<b>C2</b>		M6x20 (x4)	<b>F2</b>		(x1)

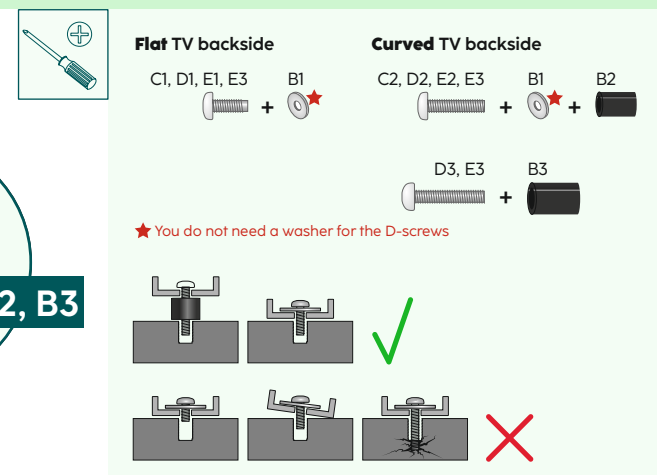
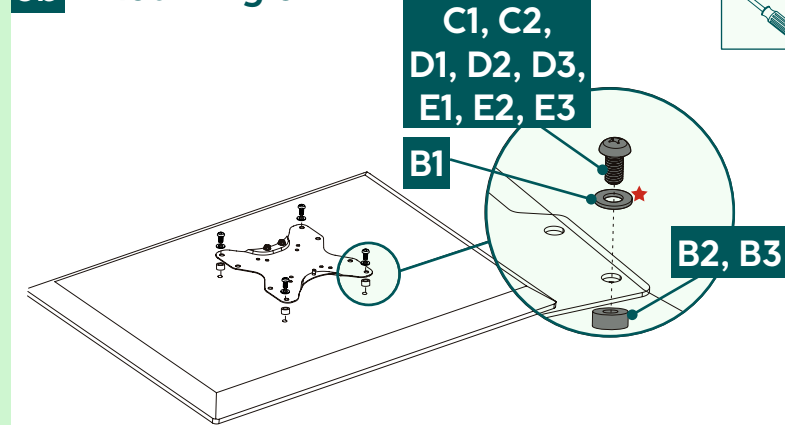
## 2b Wall mounting the bracket



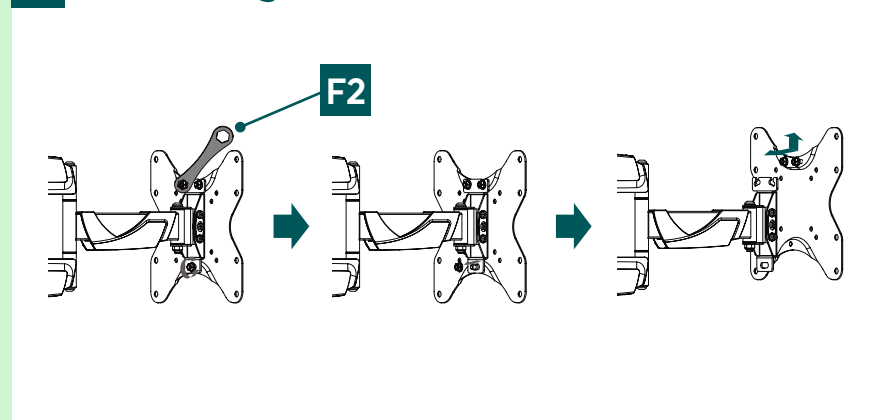
## 3a Upside of the mounting plate



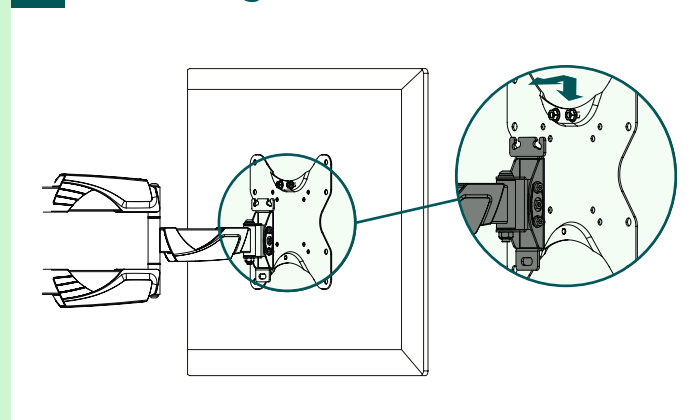
## 3b Mounting on TV



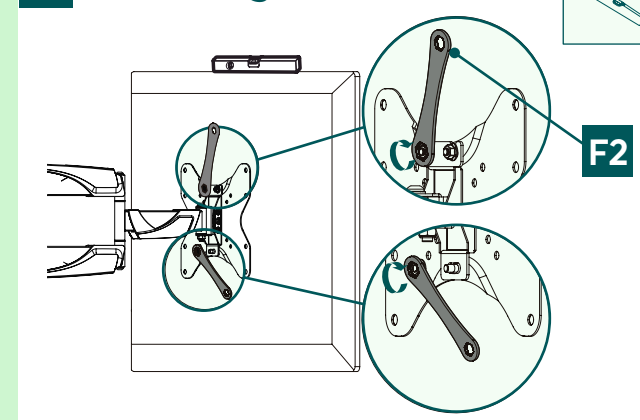
## 1 Loosening the screw



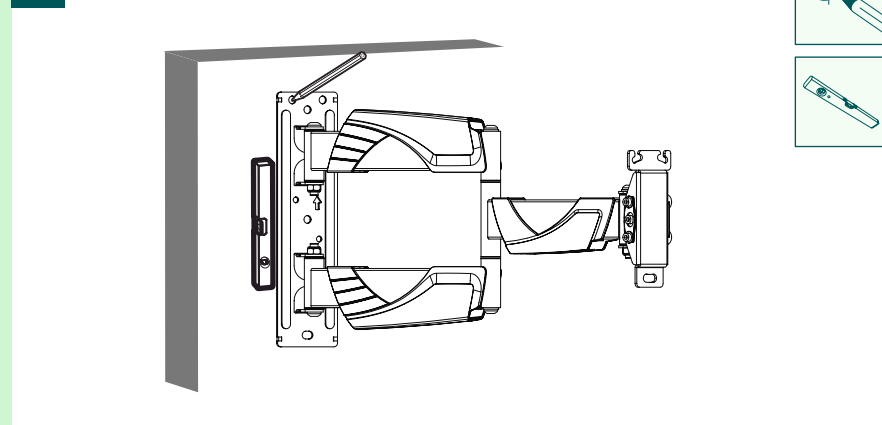
## 4a Mounting TV on bracket



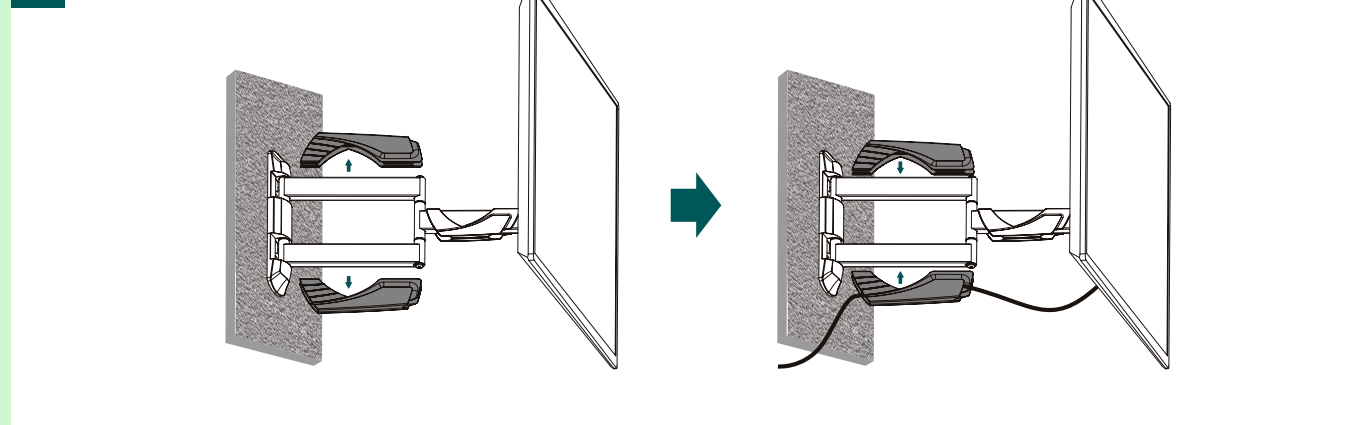
## 4b Mounting TV on bracket



## 2a Mark drill holes



## 5 Put on covers



Do you need more help?



Scan QR or visit: [www.hama.com](http://www.hama.com)  
➔ 00220827 ➔ Downloads

