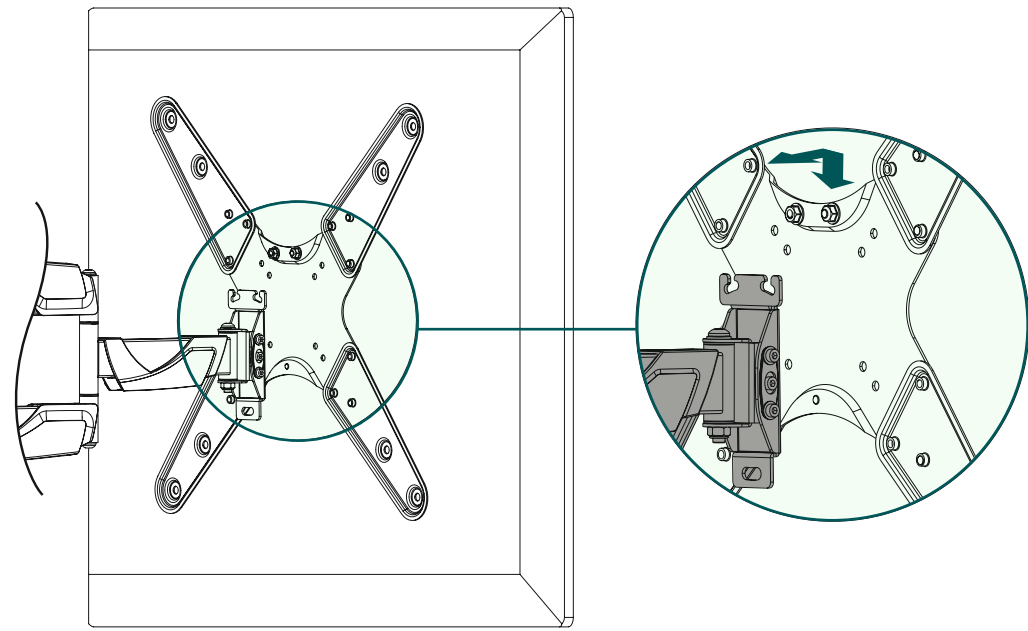
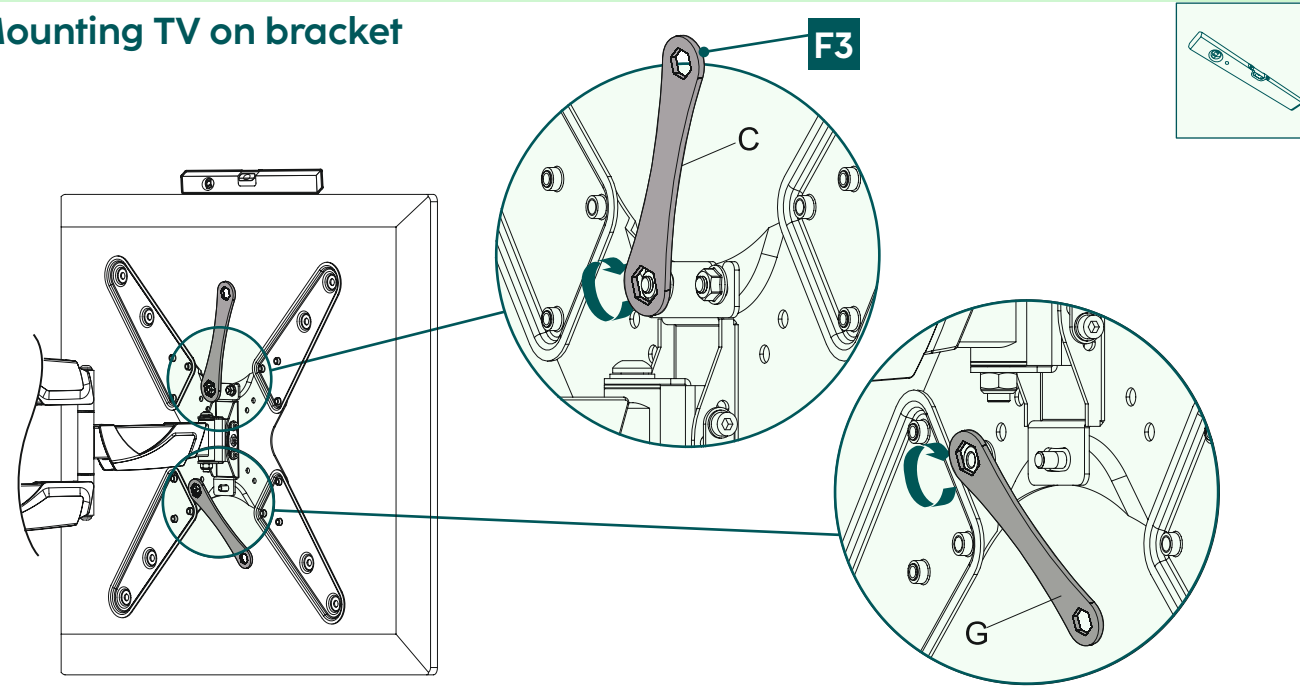


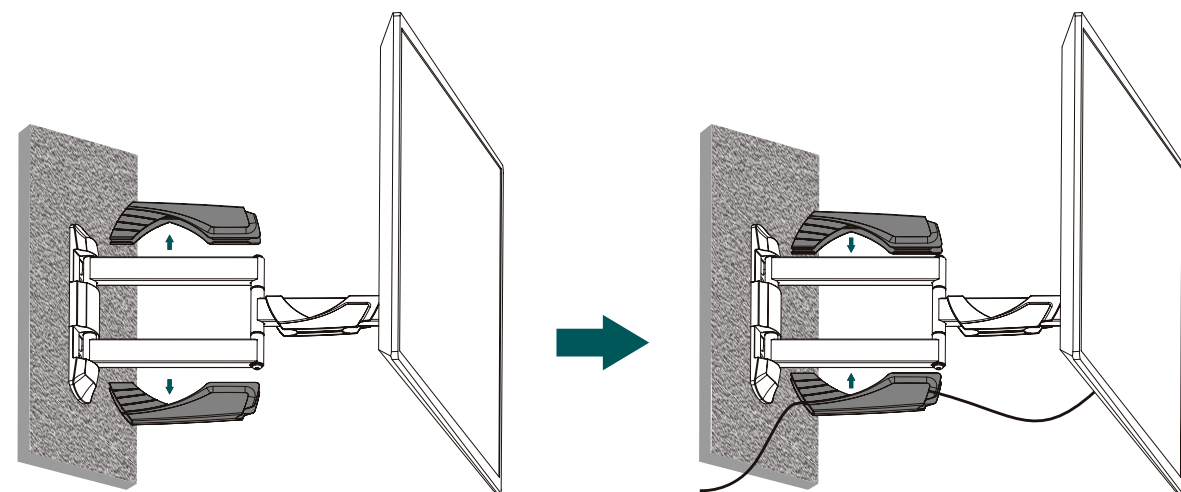
6a Mounting TV on bracket



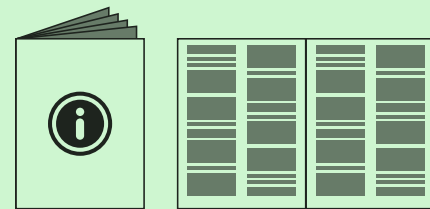
6b Mounting TV on bracket



7 Loosening the screw



Do you need more help?



Scan QR or visit: [www.hama.com](http://www.hama.com)  
➔ 🔍 ➔ 00220828 ➔ Downloads

We are so happy you chose a hama product.

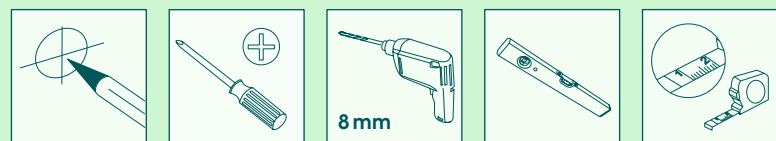
*Enjoy using it!*



**hama**

# Quick Installation Guide

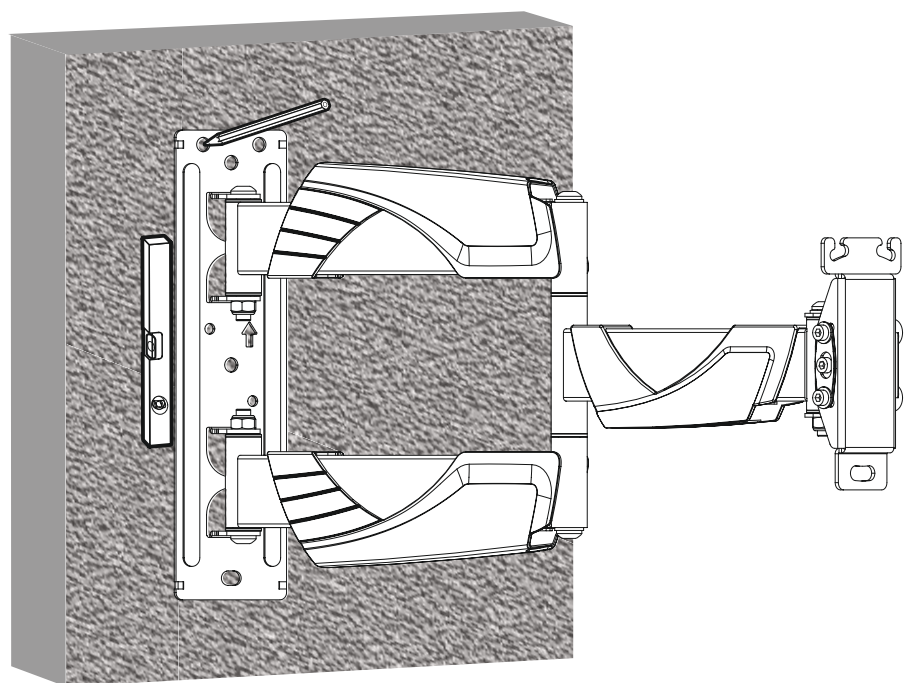
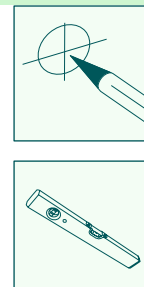
## Required tools



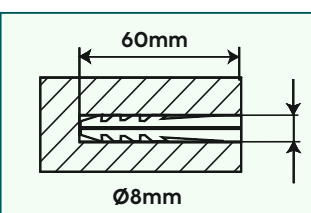
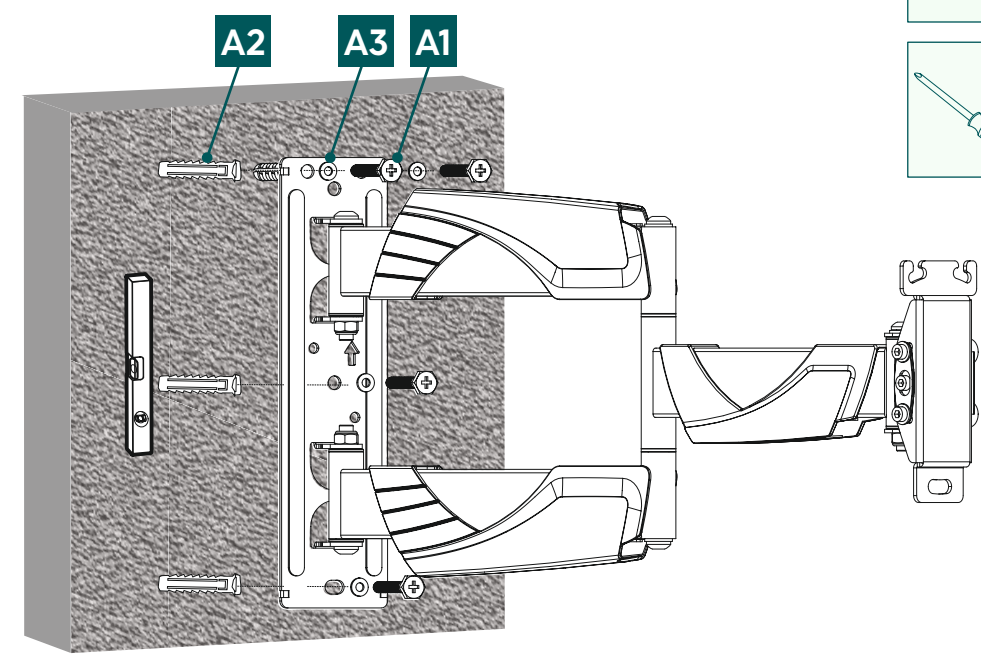
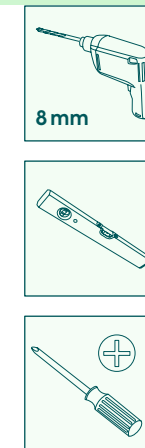
## Installation kit

A1		6x55 (x4)	D2		M8x20 (x4)
A2		Ø8x50 (x4)	D3		M8x30 (x4)
A3		M6 (x4)	D4		M8x50 (x4)
B1		M6 (x4)	E1		M4x12 (x4)
B2		Ø8x10 (x4)	E2		M4x20 (x4)
B3		Ø8x20 (x4)	F1		(x8)
C1		M6x12 (x4)	F2		(x1)
C2		M6x20 (x4)	F3		(x1)
D1		M8x12 (x4)			

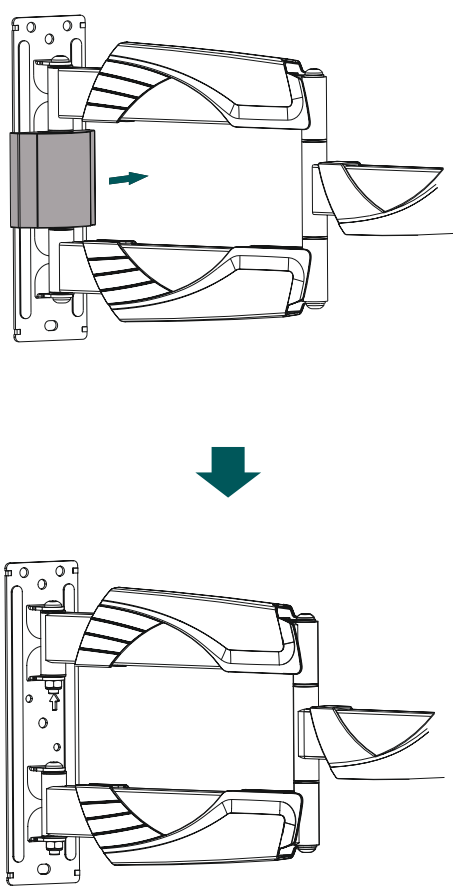
## 2a Mark drill holes



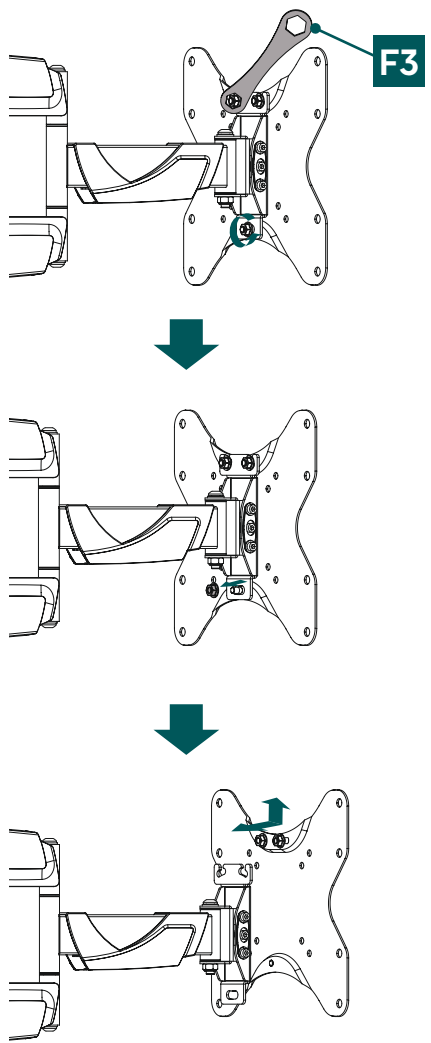
## 2b Mark drill holes



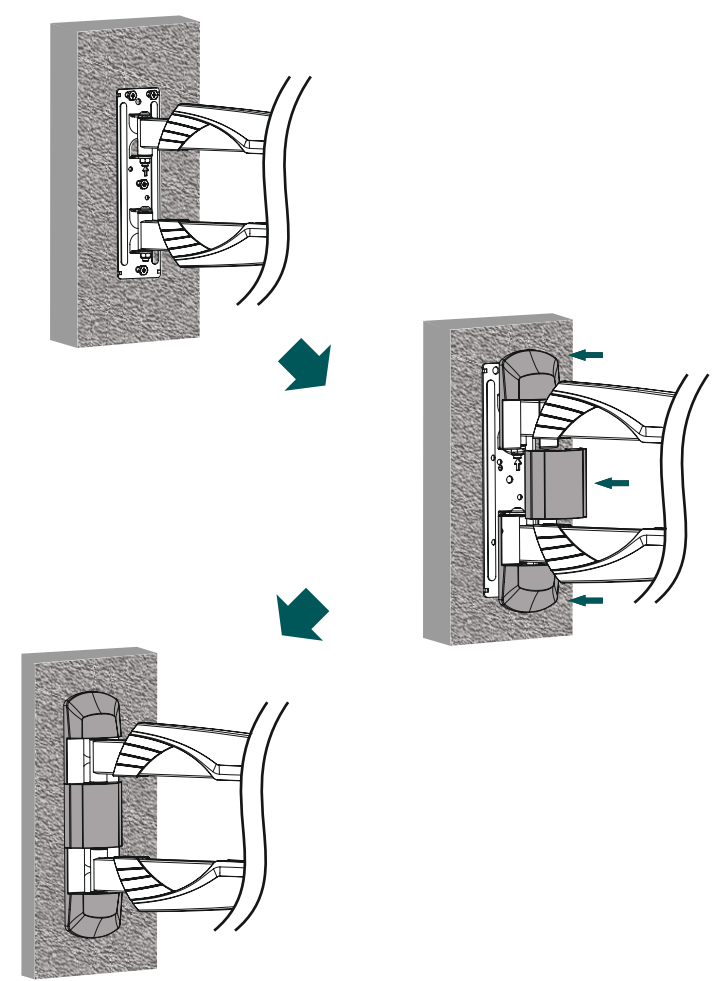
## 1a Loosening the screw



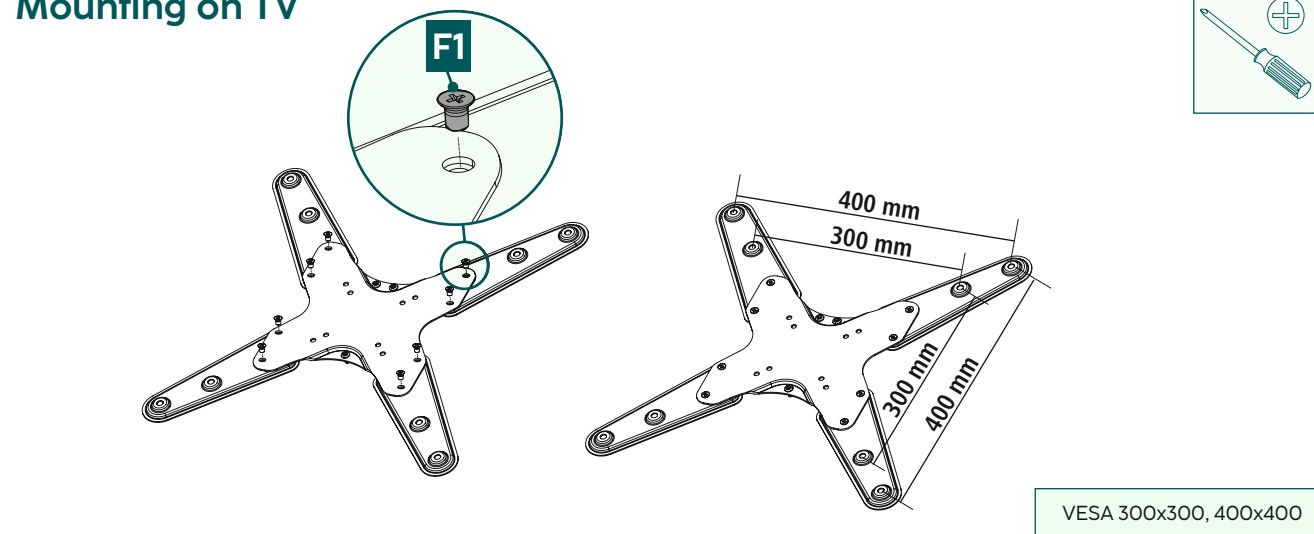
## 1b Loosening the screw



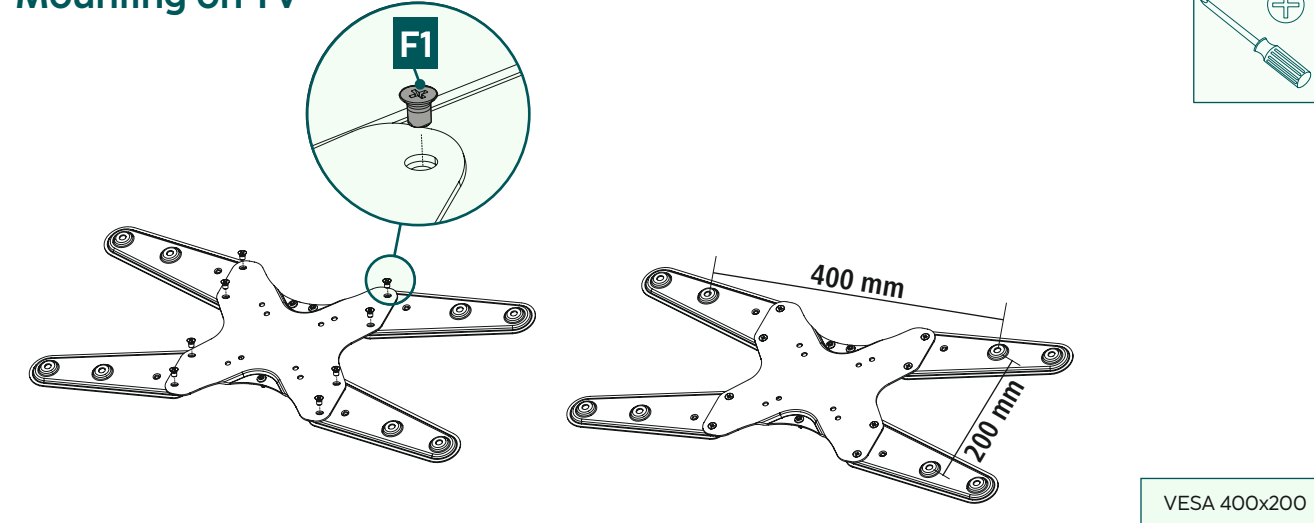
## 3 Put on covers



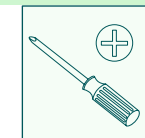
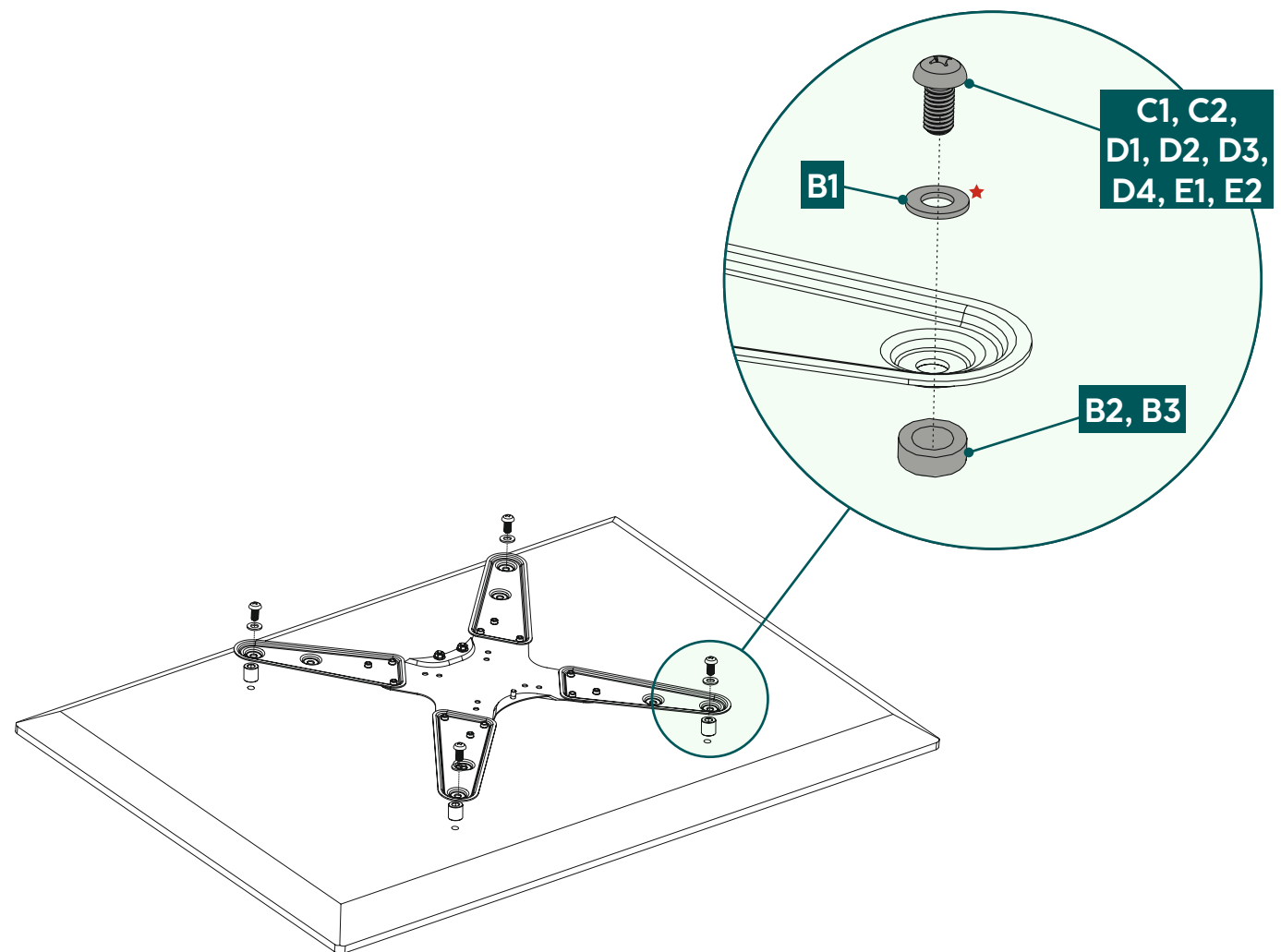
## 4a Mounting on TV



## 4b Mounting on TV

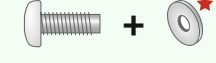


## 5 Mounting on TV



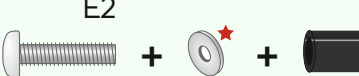
### Flat TV backside

C1, D1, D4, B1  
E1



### Curved TV backside

C2, D2, D4, B1 B2  
E2



D3, D4 B3



★ You do not need a washer for the D-screws

