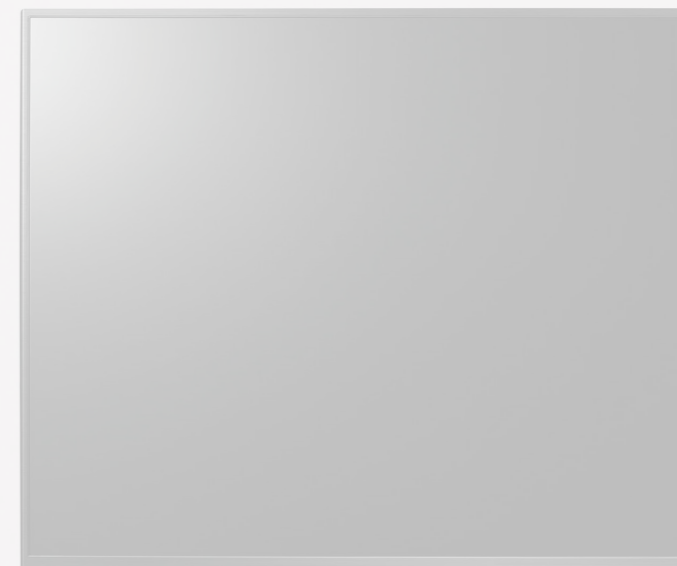


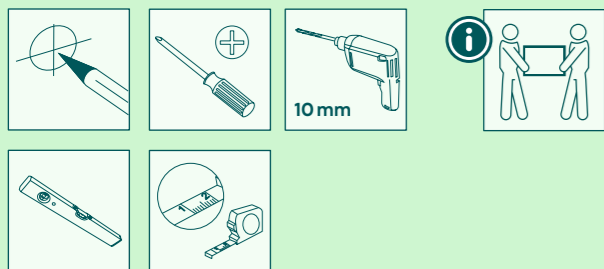
We are so happy you chose a
hama product.

Enjoy using it!



Quick Installation Guide

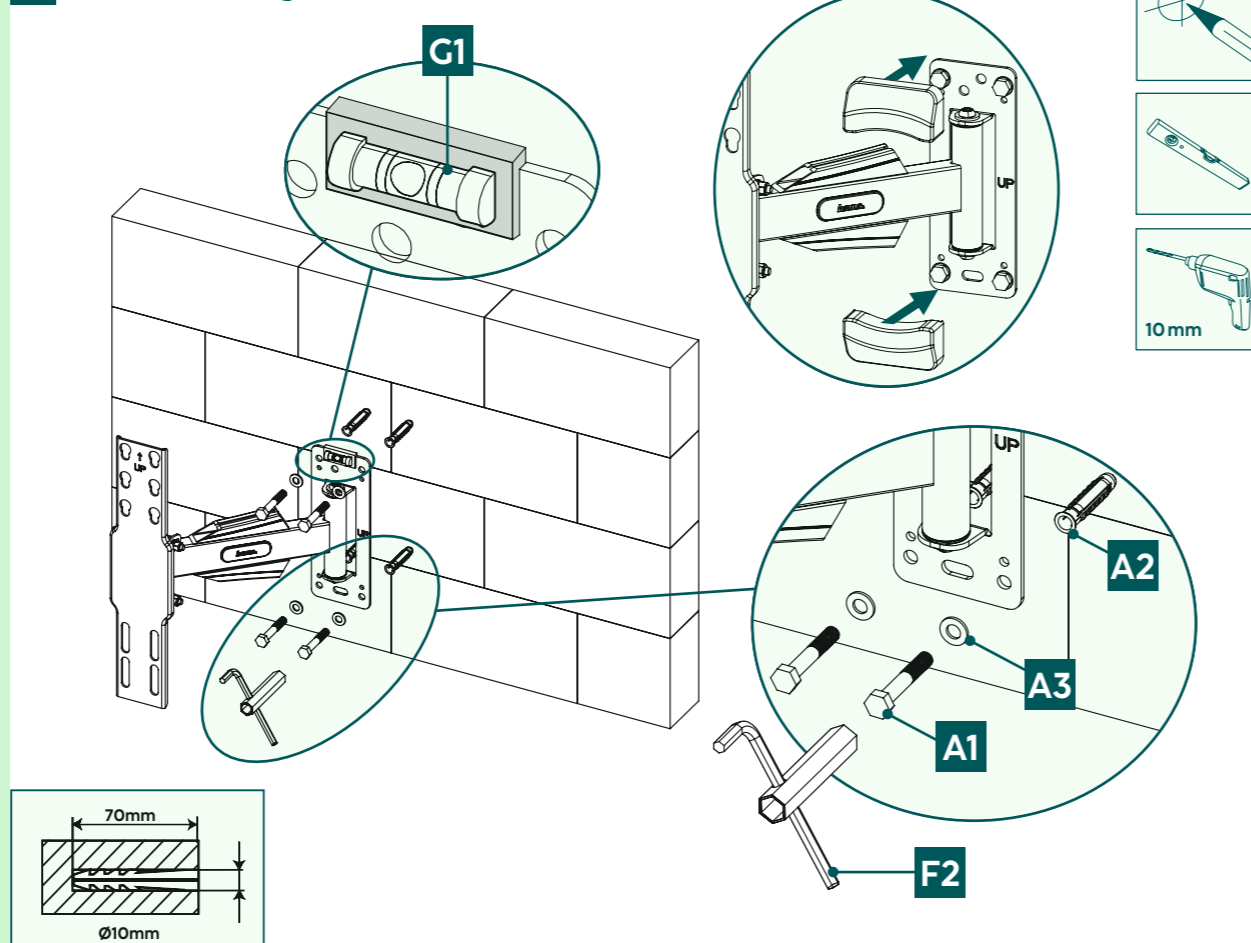
Required tools



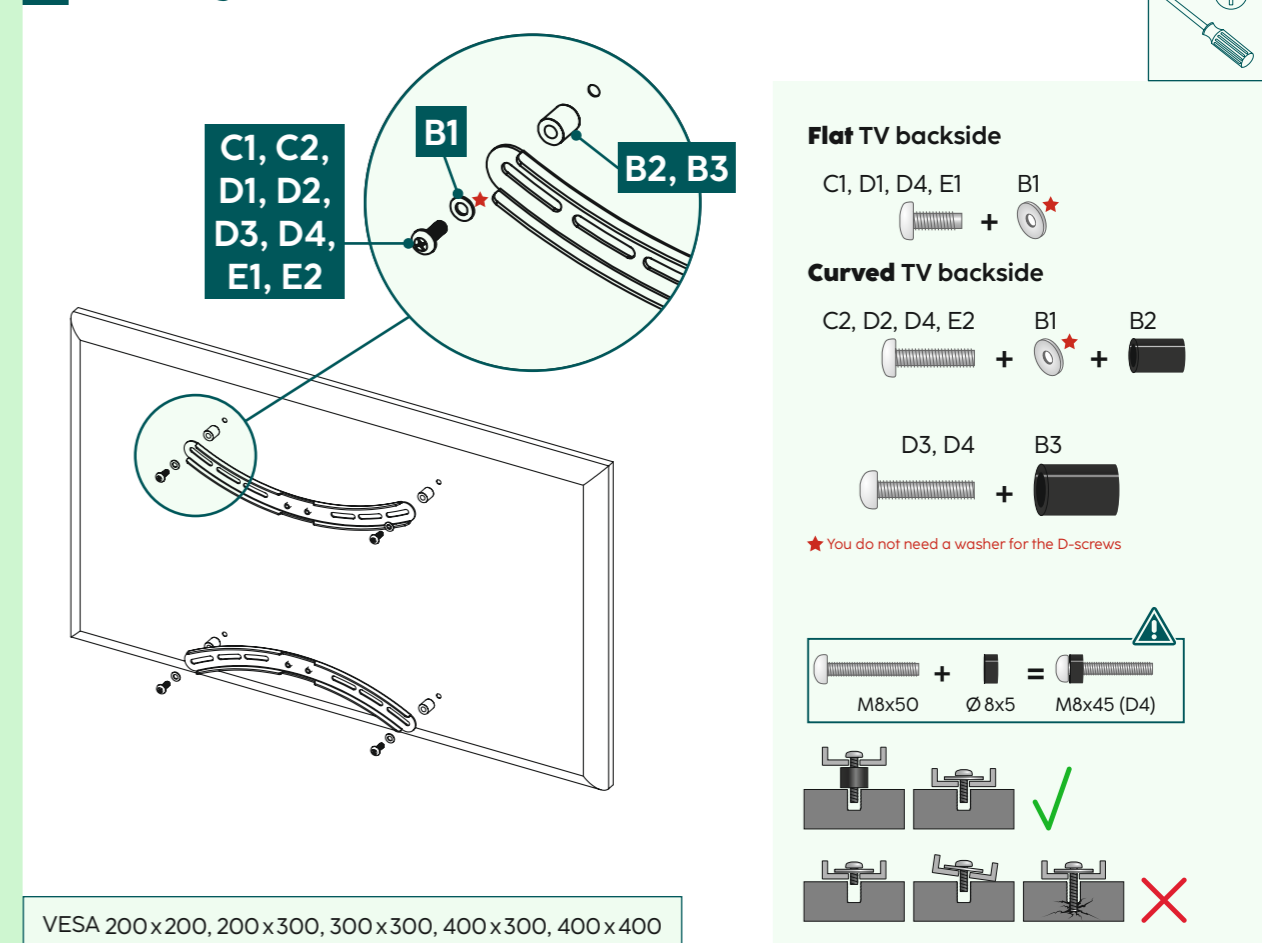
Installation kit

A1		8x70 (x4)
A2		Ø10x60 (x4)
A3		M8 (x4)
B1		M6 (x4)
B2		Ø8x10 (x4)
B3		Ø8x20 (x4)
C1		M6x12 (x4)
C2		M6x20 (x4)
D1		M8x12 (x4)
D2		M8x20 (x4)
D3		M8x30 (x4)
D4		M8x50 (x4)
E1		M4x12 (x4)
E2		M4x20 (x4)
F1		M8, M6 (x1)
F2		5x5 (x1)
F3		4x4 (x1)
G1		(x1)
G2		M6x6 (x4)

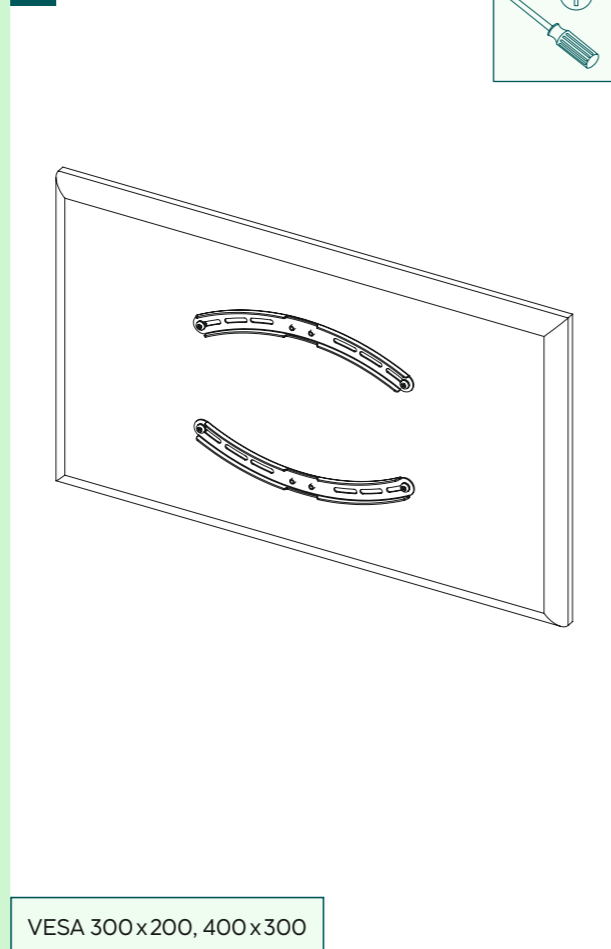
1 Wall mounting the bracket



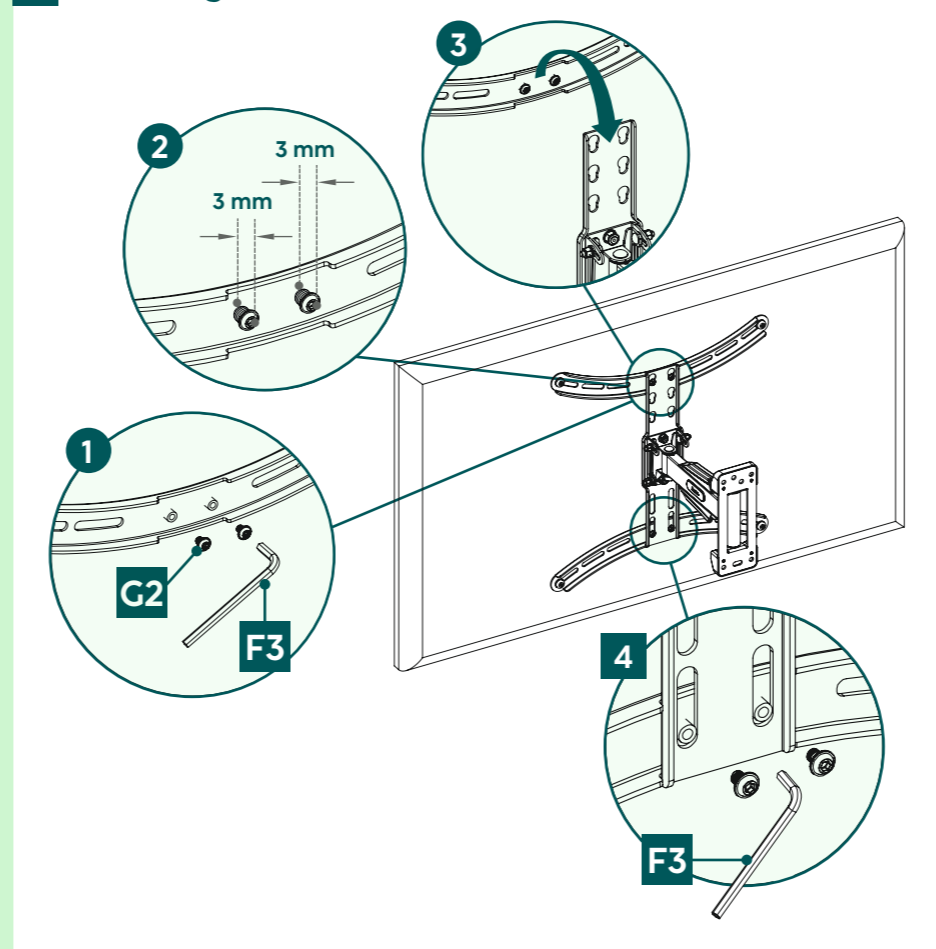
2a Mounting on TV



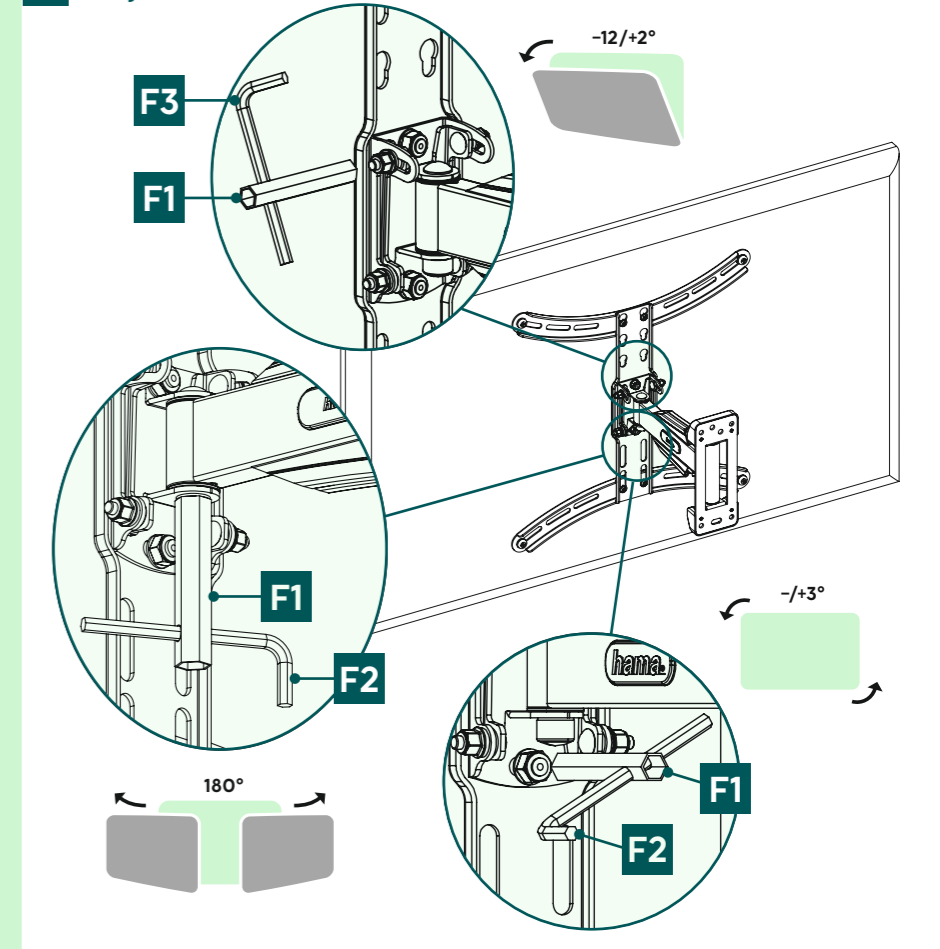
2b VESA variation



3 Mounting TV on bracket



4 Adjustments



Do you need more help?



Scan QR or visit:
support.hama.com/00220833

