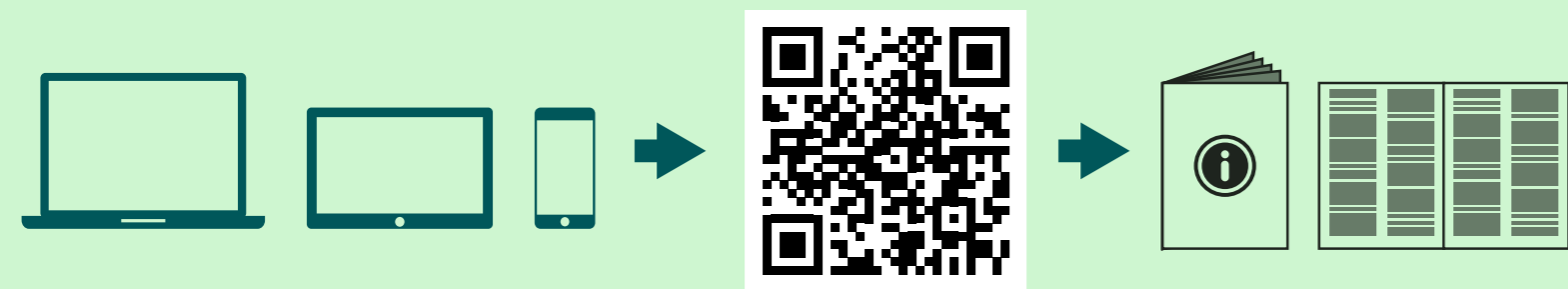
 Do you need more help?



Scan QR or visit:
support.hama.com/00220840

We are so happy you chose a hama product.

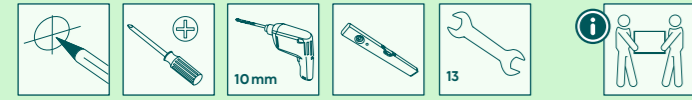
Enjoy using it!



hama

Quick Installation Guide

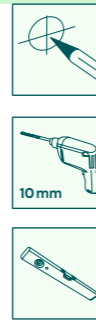
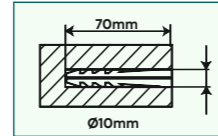
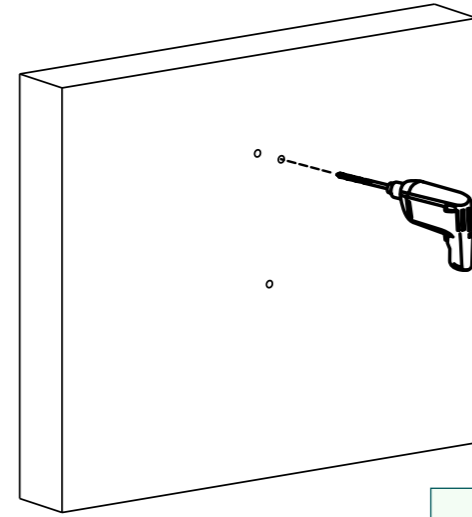
Required tools



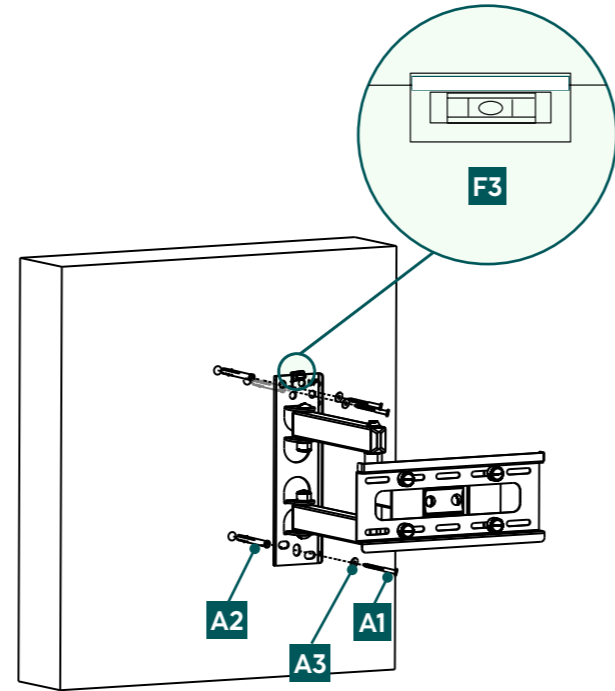
Installation kit

A1		8x70 (x3)
A2		Ø10x60 (x3)
A3		M8 (x3)
B1		M6 (x4)
B2		Ø8x10 (x4)
B3		Ø8x20 (x4)
C1		M6x12 (x4)
C2		M6x20 (x4)
D1		M8x12 (x4)
D2		M8x20 (x4)
D3		M8x30 (x4)
E1		M4x12 (x4)
E2		M4x20 (x4)
E3		M4x45 (x4)
F1		5x5 (x1)
F2		(x1)
F3		(x1)

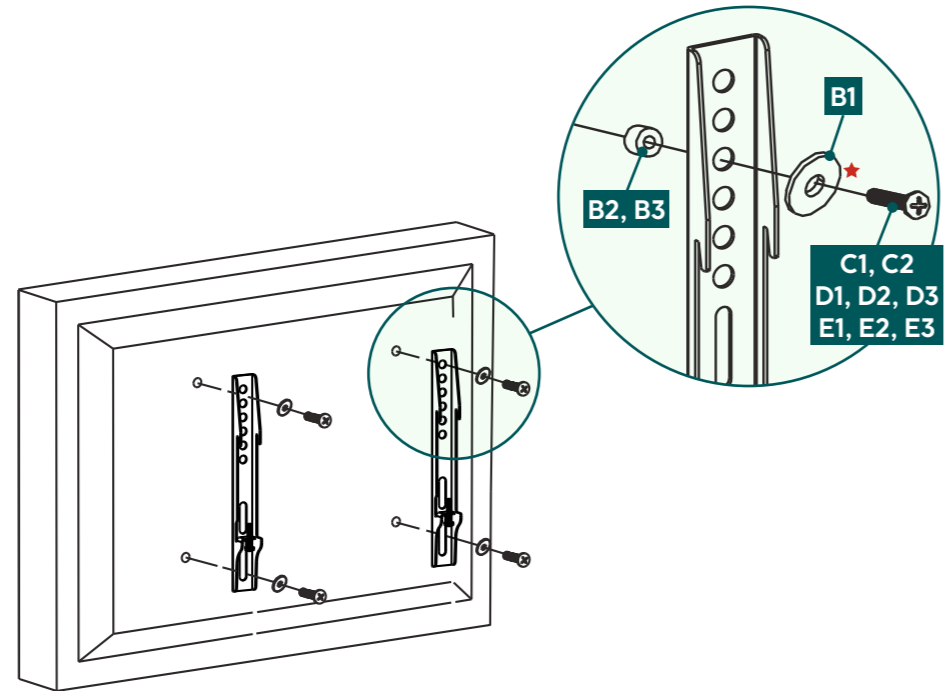
1a Drilling the holes



1b Wall mounting the bracket



2 Mounting on the TV



Flat TV backside

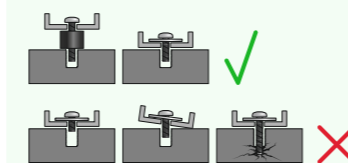
C1, D1, E1, E3 + B1

Curved TV backside

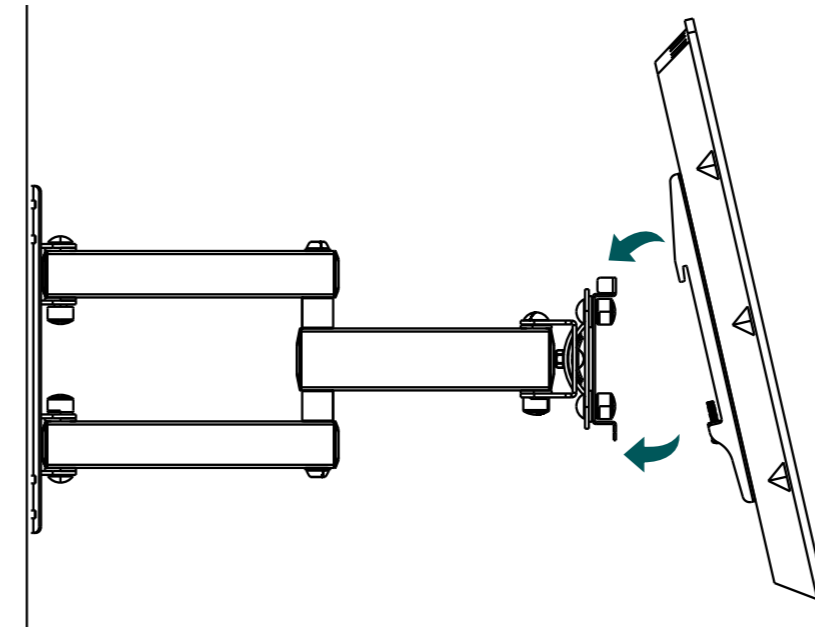
C2, D2, E2, E3 + B1 + B2

D3, E3 + B3

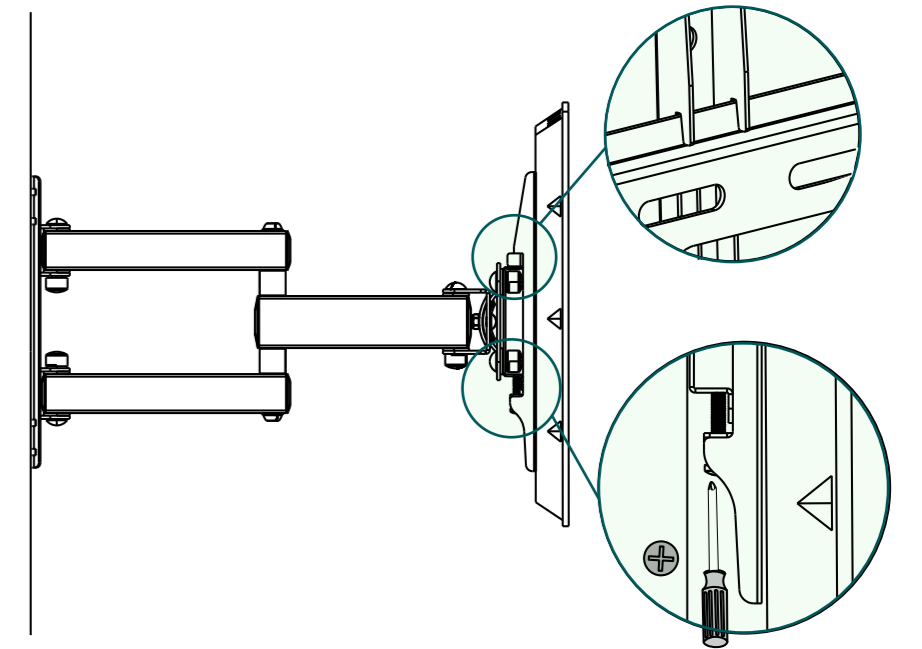
★ You do not need a washer for the D-screws



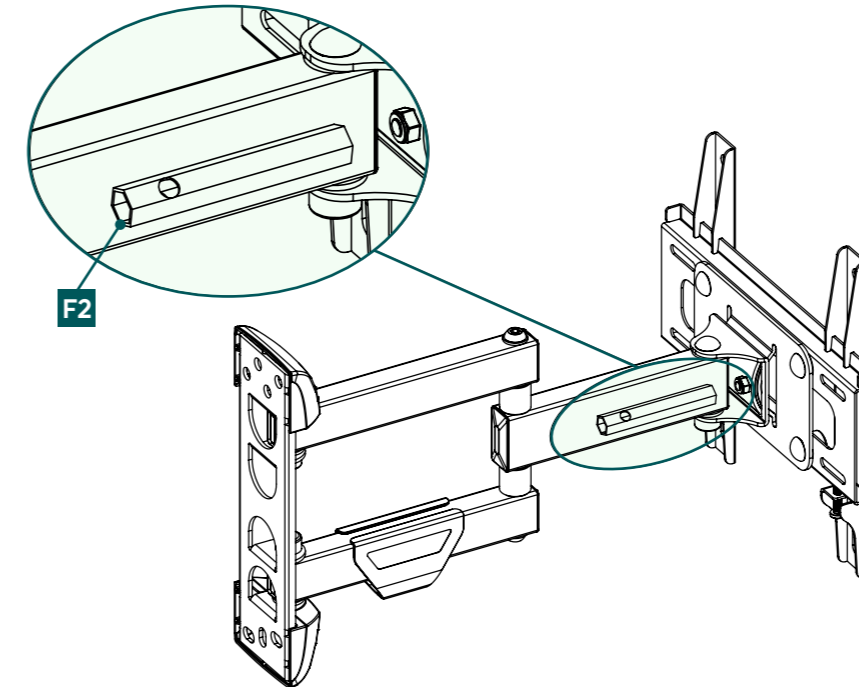
3a Putting TV on bracket



3b Mounting TV on bracket



4 Adjustments



5 Adjustments

