

We are so happy you chose a  
hama product.

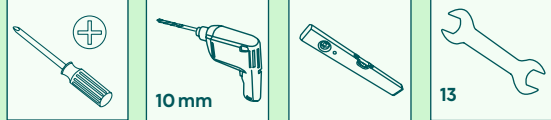
***Enjoy using it!***



***hama***

# Quick Installation Guide

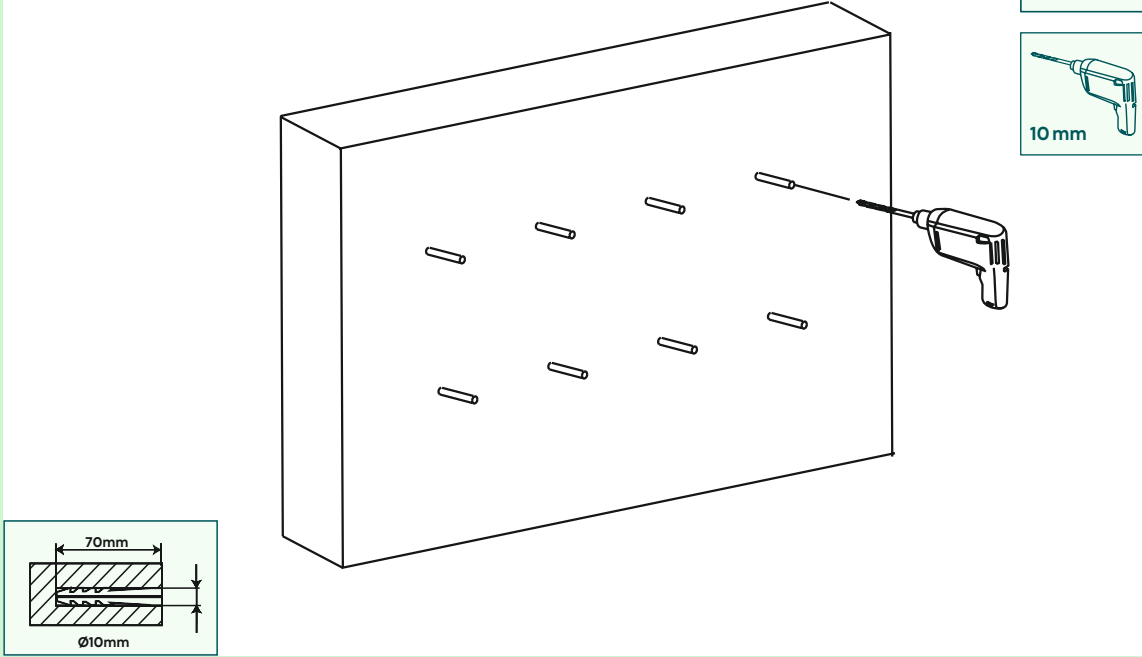
## Required tools



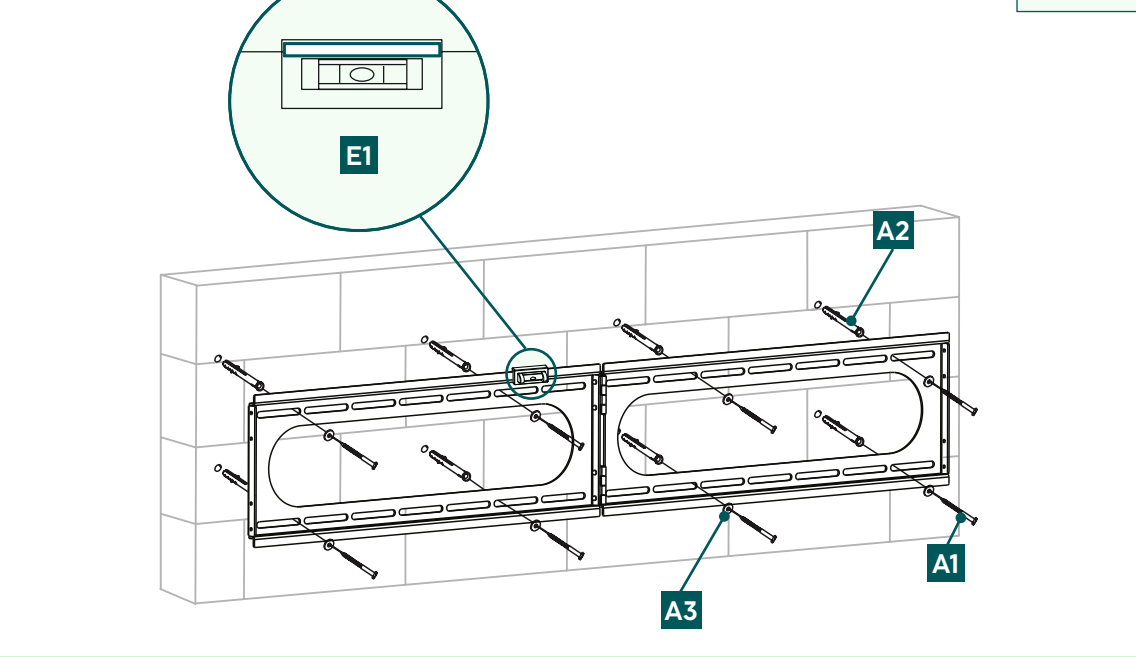
## Installation kit

<b>A1</b>		8x70 (x8)	<b>C2</b>		M6x20 (x4)
<b>A2</b>		Ø10x60 (x8)	<b>D1</b>		M8x12 (x4)
<b>A3</b>		M8 (x8)	<b>D2</b>		M8x20 (x4)
<b>B1</b>		M6 (x4)	<b>D3</b>		M8x30 (x4)
<b>B2</b>		Ø8x10 (x4)	<b>D4</b>		M8x50 (x4)
<b>B3</b>		Ø8x20 (x4)	<b>E1</b>		(x1)
<b>C1</b>		M6x12 (x4)			

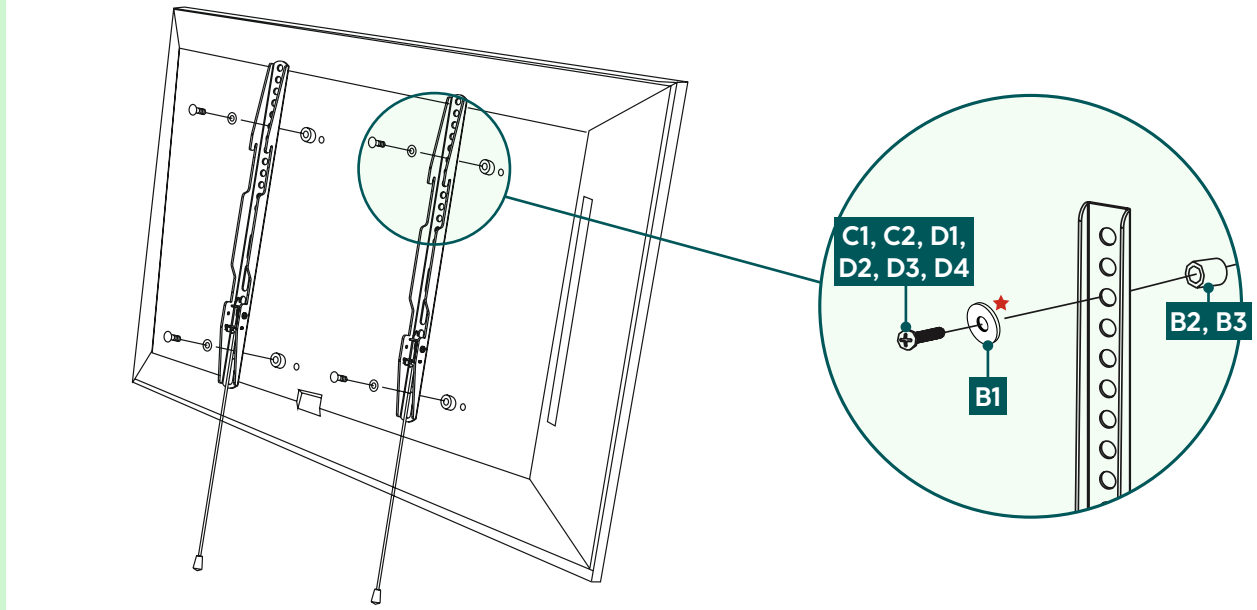
### 1 Drilling the holes



### 2 Wall mounting the bracket



### 3 Mounting on the TV

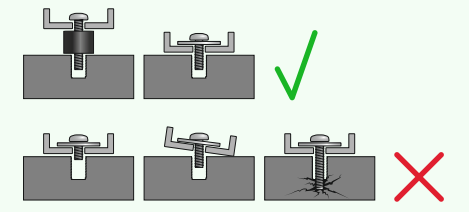
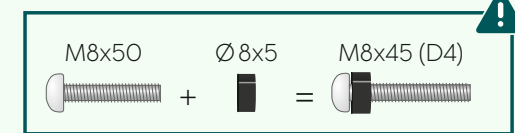


#### Flat TV backside

C1, D1, D4 + B1

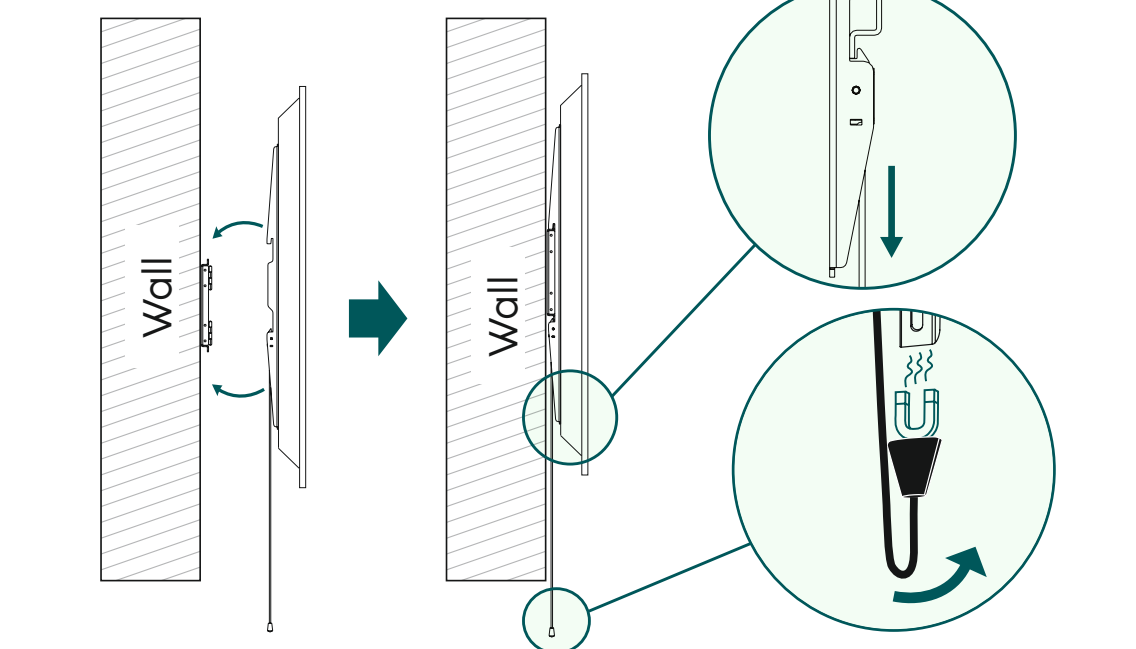
C2, D2, D4 + B1 + B2

D3, D4 + B3

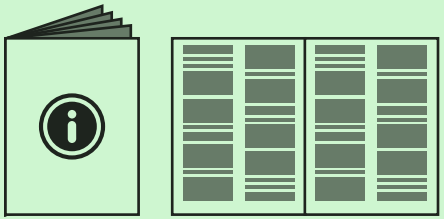


★ You do not need a washer for the D-screws

### 4 Mounting TV on bracket



## Do you need more help?



Scan QR or visit:  
[support.hama.com/00220843](http://support.hama.com/00220843)