

We are so happy you chose a  
hama product.

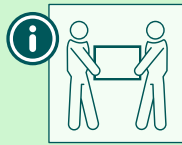
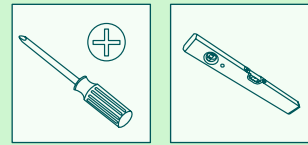
***Enjoy using it!***

***hama***



# Quick Installation Guide

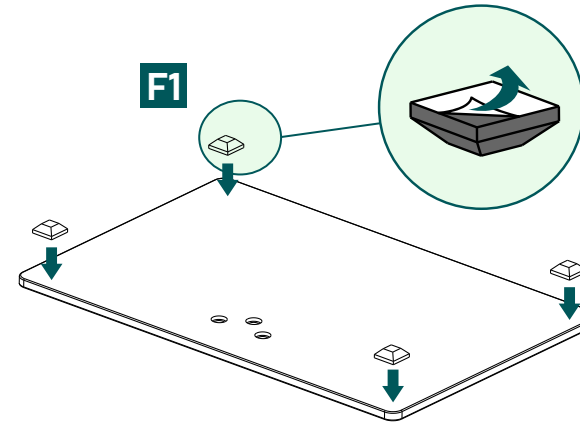
## Required tools



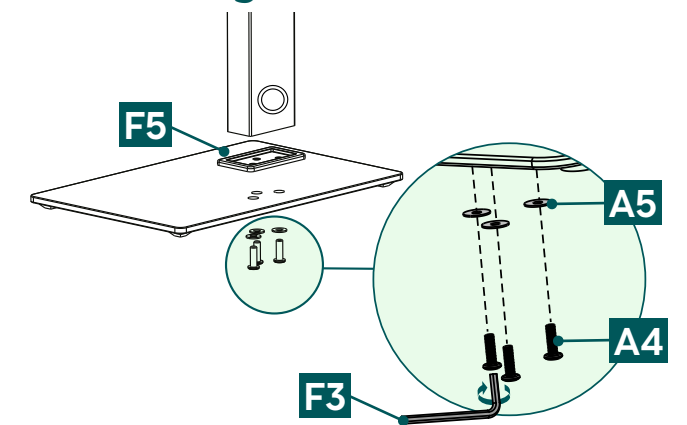
## Installation kit

<b>A1</b>		M10 (x2)	<b>D1</b>		M8x12 (x4)
<b>A2</b>		M10 (x1)	<b>D2</b>		M8x20 (x4)
<b>A3</b>		M6x16 (x4)	<b>D3</b>		M8x30 (x4)
<b>A4</b>		M8x25 (x3)	<b>D4</b>		M8x50 (x4)
<b>A5</b>		M8 (x3)	<b>E1</b>		M4x12 (x4)
<b>A6</b>		M6 (x4)	<b>E2</b>		M4x20 (x4)
<b>A7</b>		M10 (x1)	<b>F1</b>		(x4)
<b>B1</b>		M6/M8 (x4)	<b>F2</b>		(x2)
<b>B2</b>		M8x10 (x4)	<b>F3</b>		(x1)
<b>B3</b>		M8x20 (x4)	<b>F4</b>		(x1)
<b>C1</b>		M6x12 (x4)	<b>F5</b>		(x1)
<b>C2</b>		M6x20 (x4)			

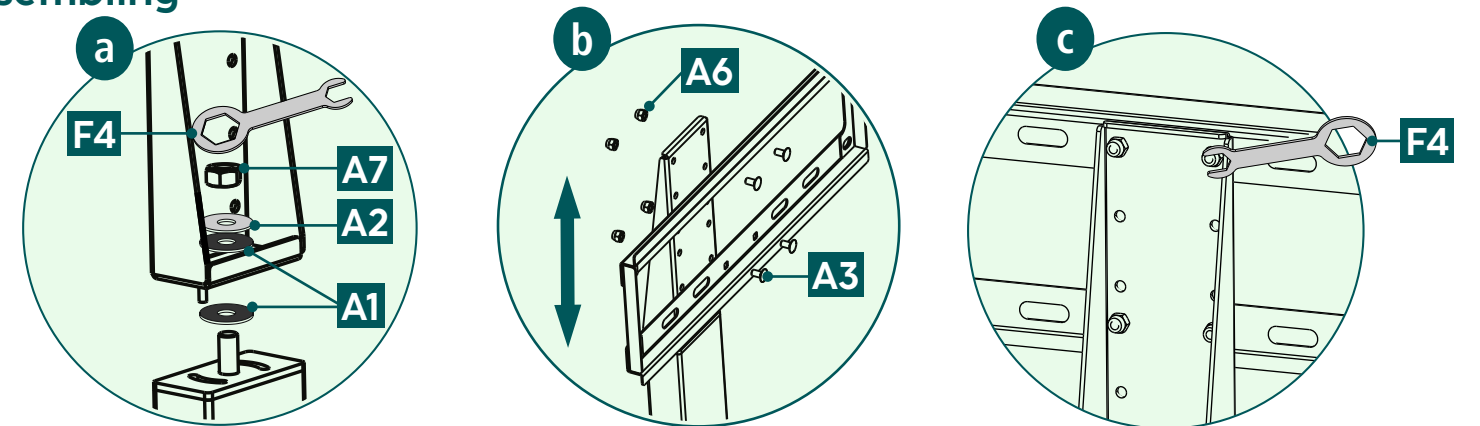
## 1 Put on rubber feet



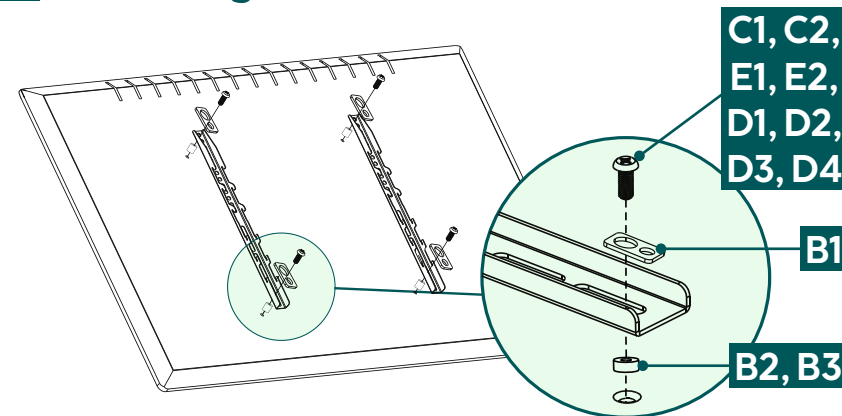
## 2 Assembling



## 3 Assembling



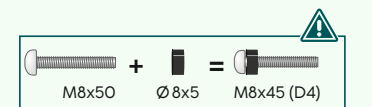
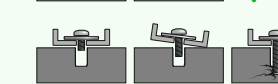
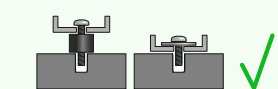
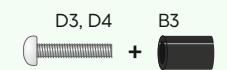
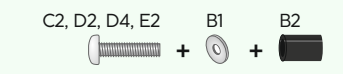
## 4 Mounting on backside of the TV



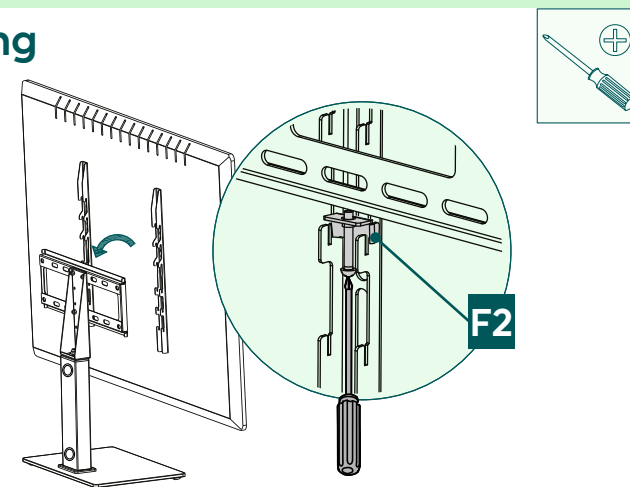
### Flat TV backside



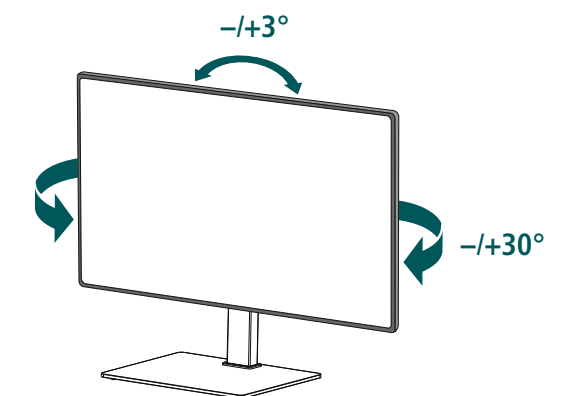
### Curved TV backside



## 5a Fixing



## 5b Adjustments



??  
Do you need more help?



Scan QR or visit: [www.hama.com](http://www.hama.com) → 00220866 → Downloads

