

We are so happy you chose a
hama product.

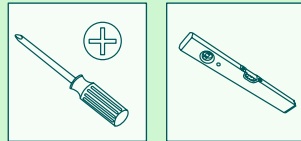
Enjoy using it!

hama



Quick Installation Guide

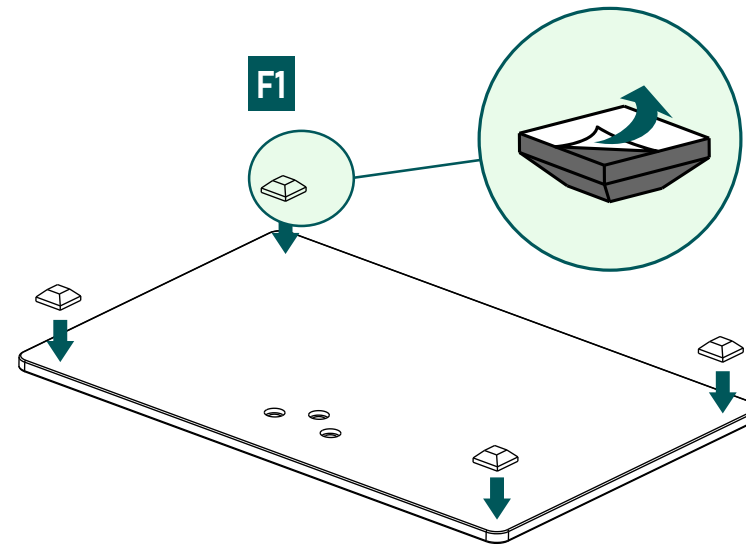
Required tools



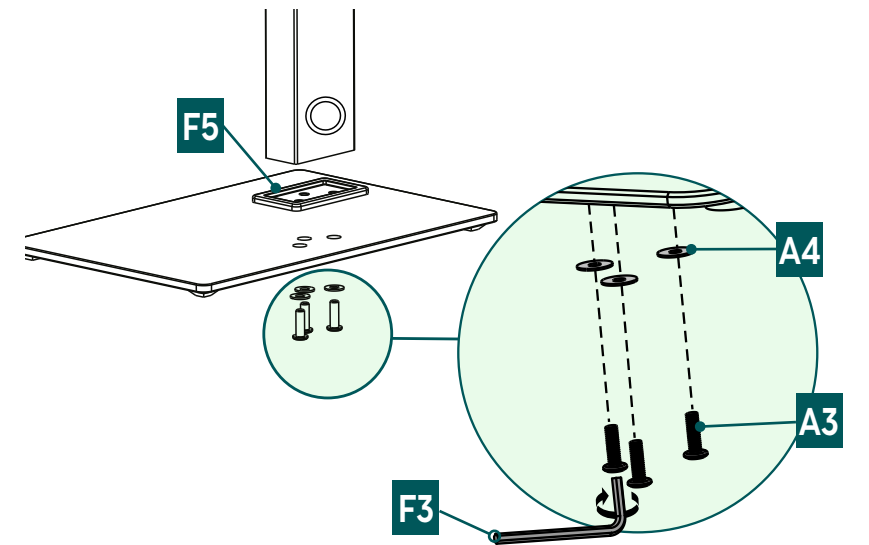
Installation kit

A1		M10 (x2)	D1		M8x12 (x4)
A2		M10 (x1)	D2		M8x20 (x4)
A3		M8x25 (x3)	D3		M8x30 (x4)
A4		M8 (x3)	D4		M8x50 (x4)
A5		M6 (x4)	E1		(x2)
A6		M10 (x1)	E2		(x1)
B1		M6/M8 (x4)	F1		(x4)
B2		M8x10 (x4)	F2		(x2)
B3		M8x20 (x4)	F3		(x1)
C1		M6x12 (x4)	F4		(x1)
C2		M6x20 (x4)	F5		(x1)

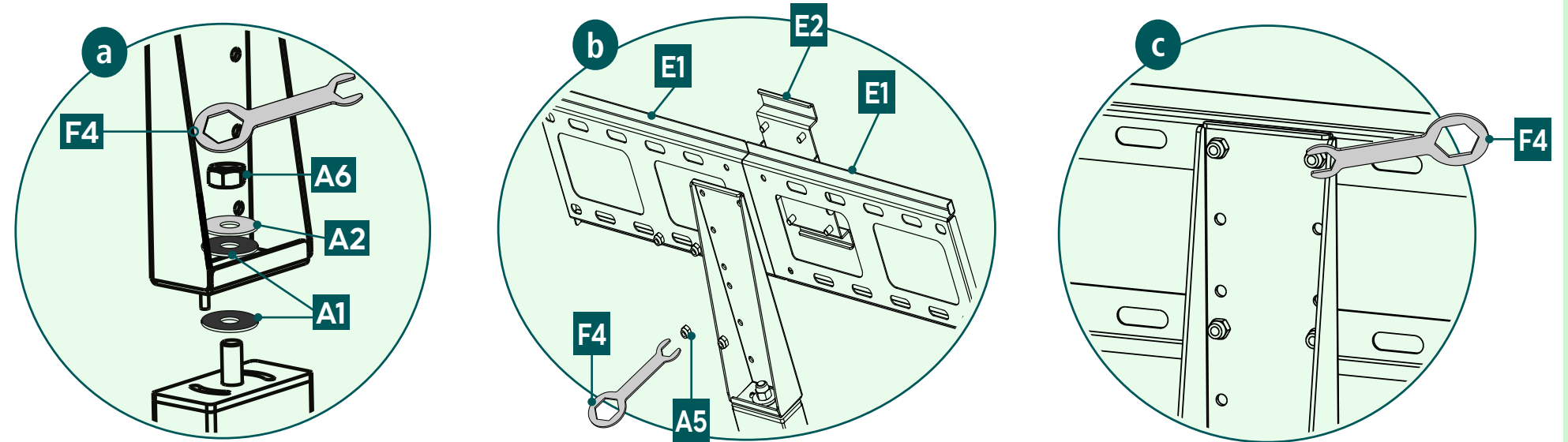
1 Put on rubber feet



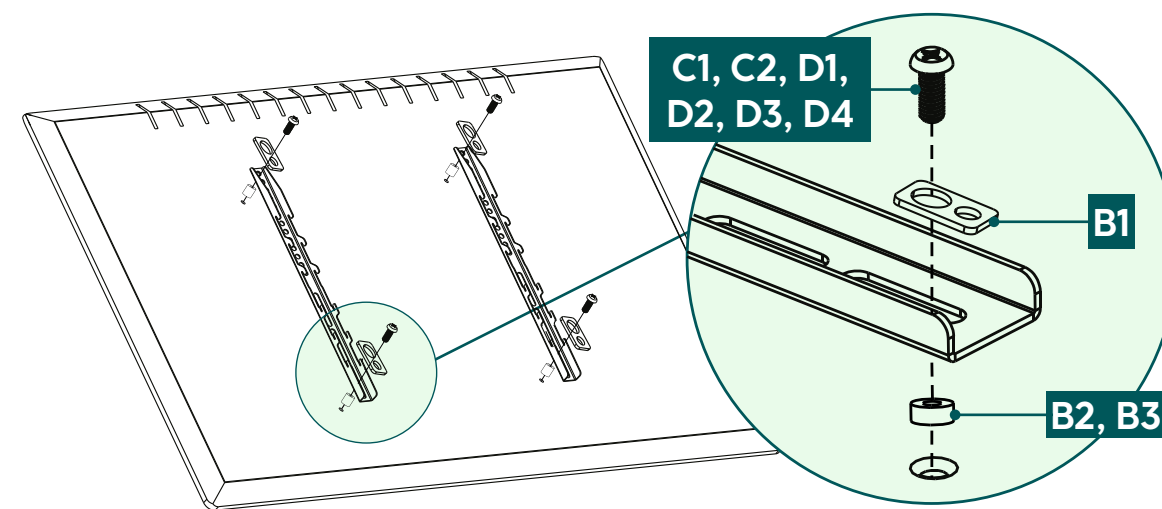
2 Assembling



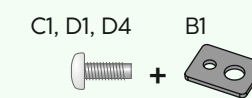
3 Assembling



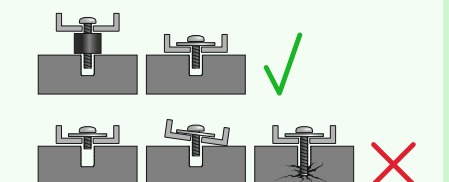
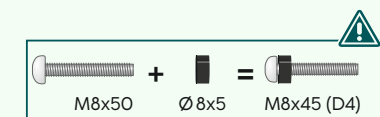
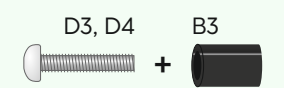
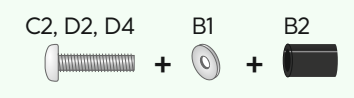
4 Mounting on backside of the TV



Flat TV backside



Curved TV backside



???

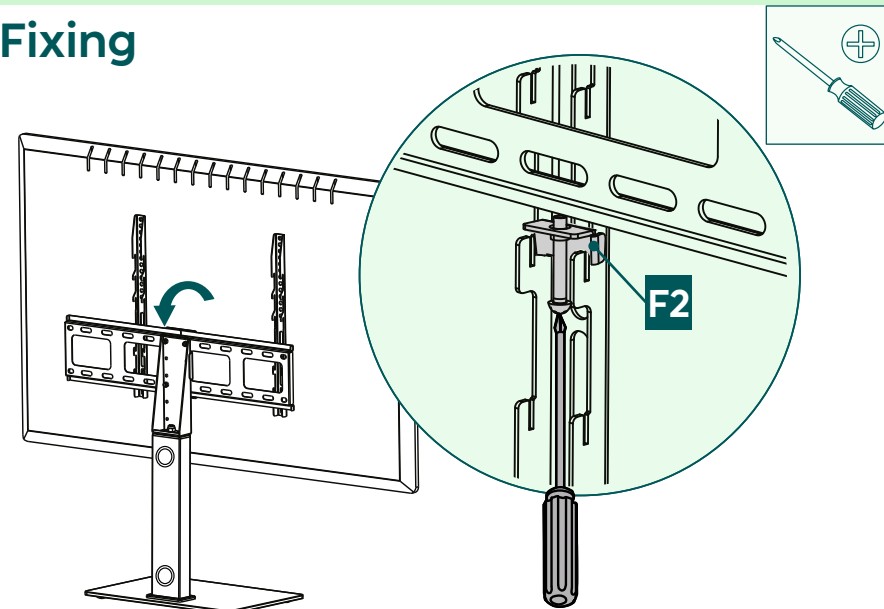
Do you need more help?



Scan QR or visit: www.hama.com

➔ 00220867 ➔ Downloads

5a Fixing



5b Adjustment

