

We are so happy you chose a
hama product.

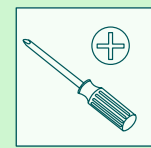
Enjoy using it!



hama

Quick Installation Guide

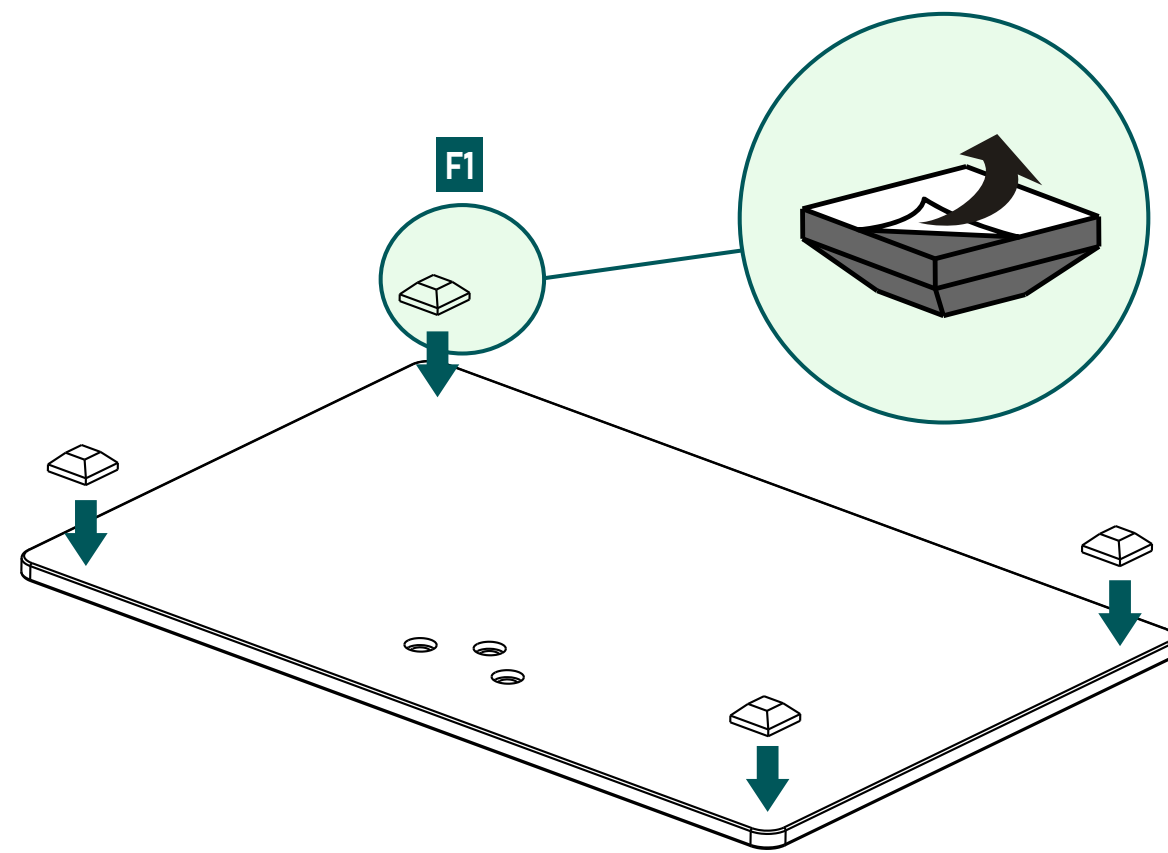
Required tools



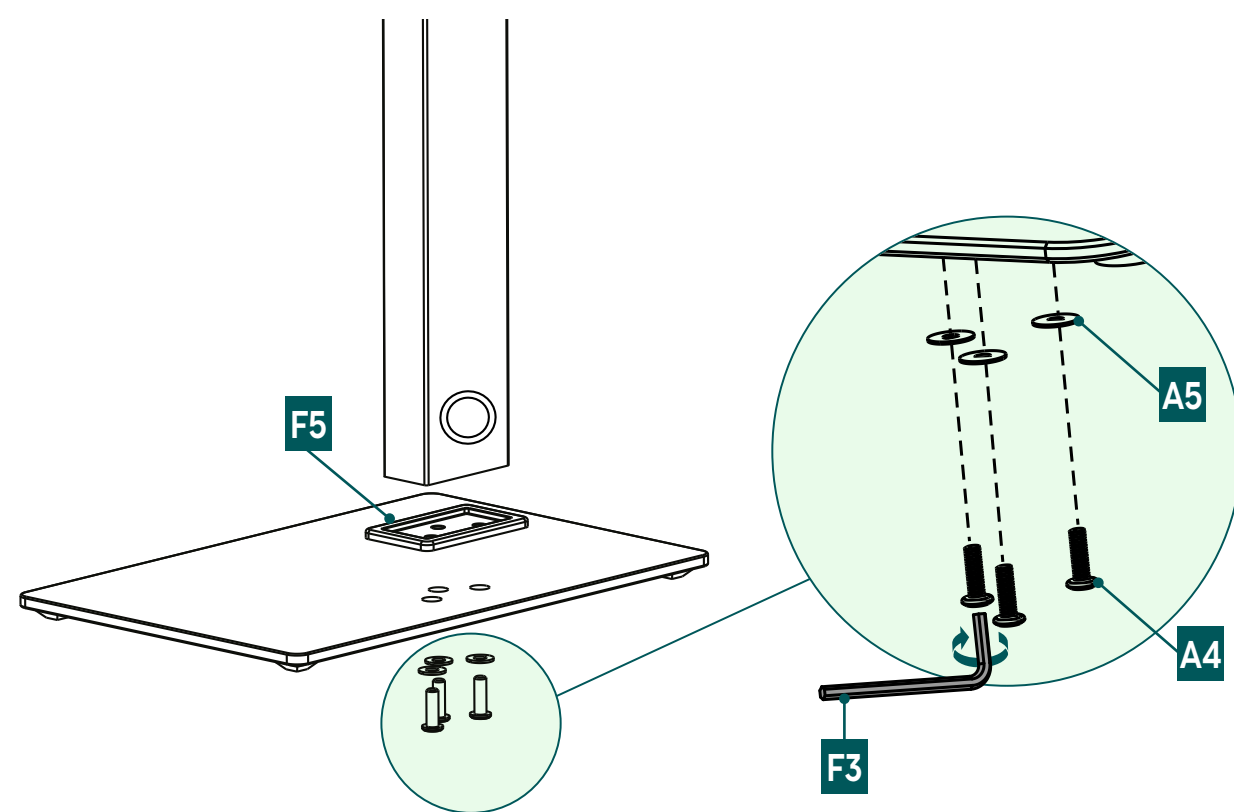
Installation kit

A1		M10 (x2)	D1		M8x12 (x4)
A2		M10 (x1)	D2		M8x20 (x4)
A3		M6x12 (x4)	D3		M8x30 (x4)
A4		M8x25 (x3)	D4		M8x50 (x4)
A5		M8 (x3)	E1		M4x12 (x4)
A6		M6 (x4)	E2		M4x20 (x4)
A7		M10 (x1)	F1		(x4)
B1		M6/M8 (x4)	F2		(x2)
B2		M8x10 (x4)	F3		(x1)
B3		M8x20 (x4)	F4		(x1)
C1		M6x12 (x4)	F5		(x1)
C2		M6x20 (x4)			

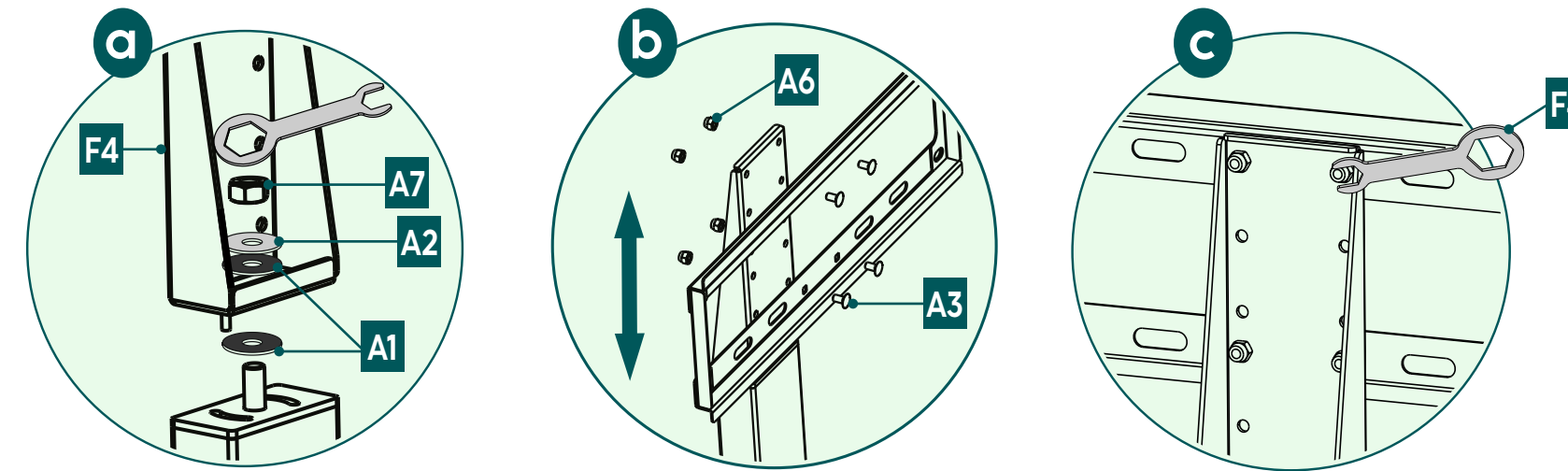
1 Put on rubber feet



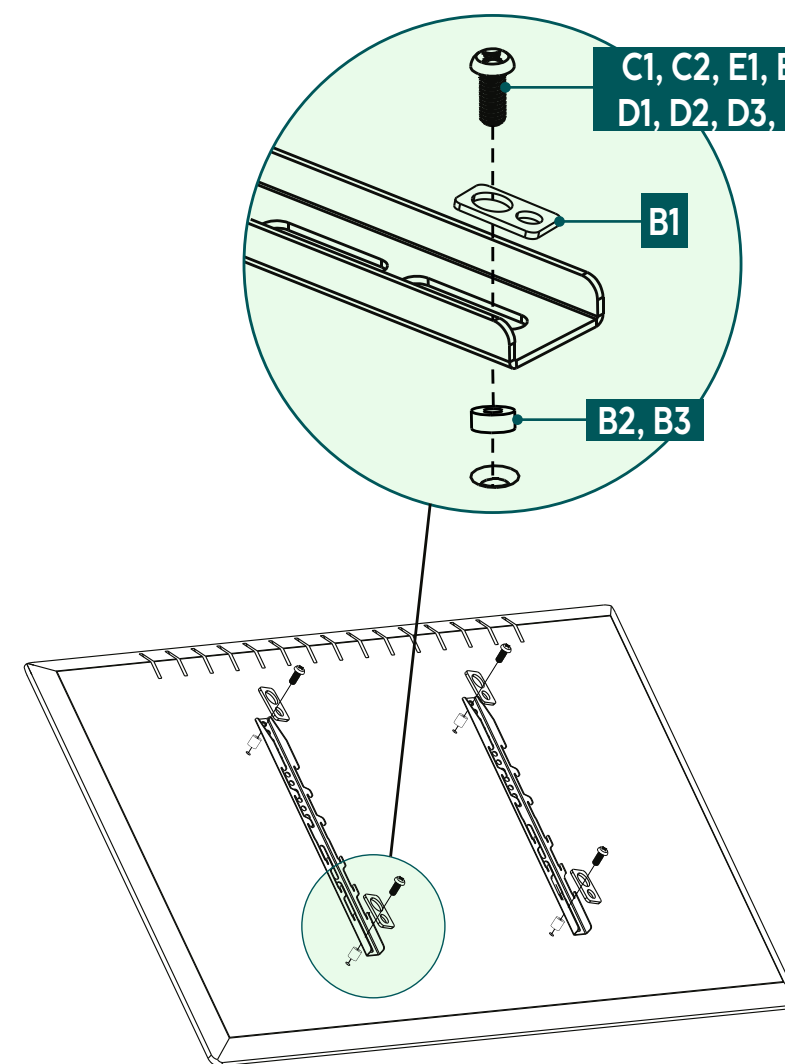
2 Assembling



3 Assembling



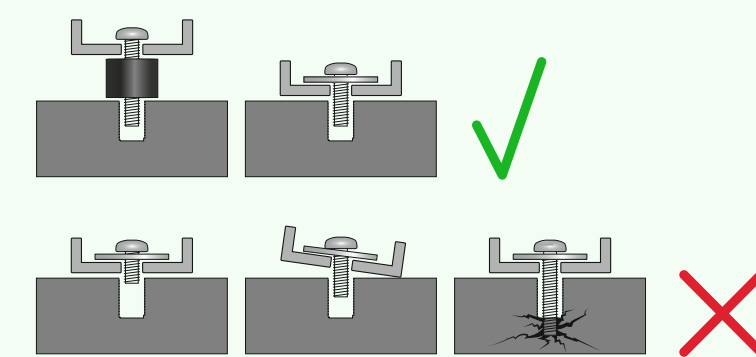
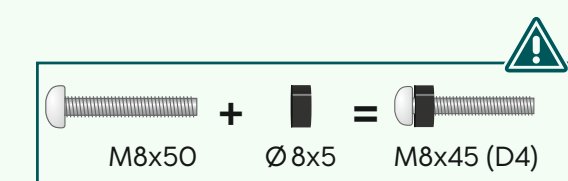
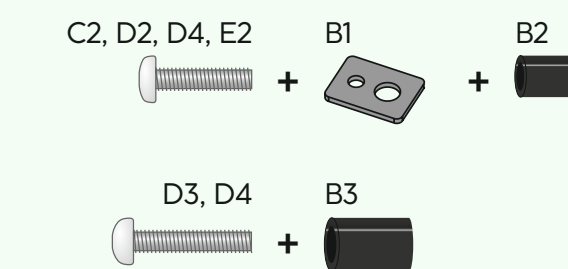
4 Mounting on backside of the TV



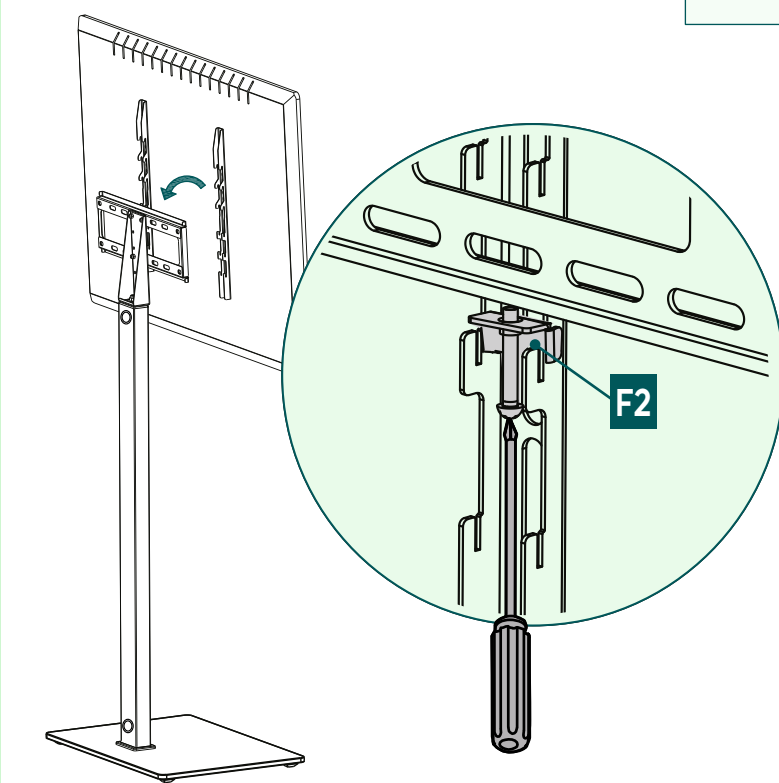
Flat TV backside



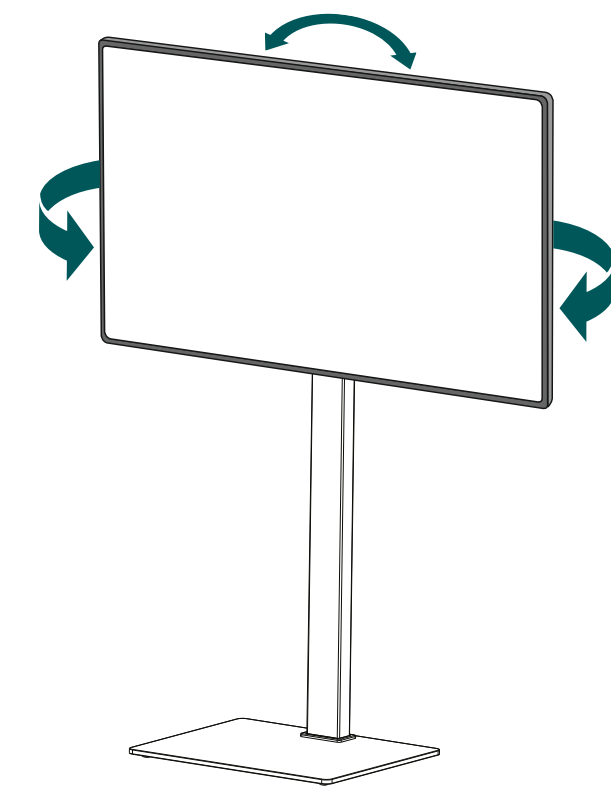
Curved TV backside



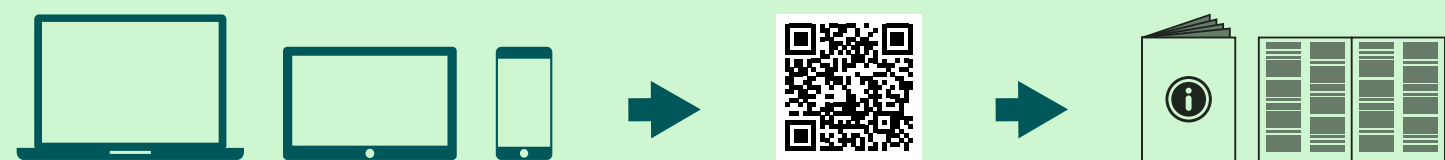
5a Fixing



5b Adjustments



Do you need more help?



Scan QR or visit: www.hama.com
00220868 Downloads

