

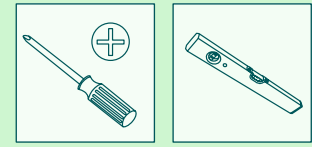
We are so happy you chose a
hama product.

Enjoy using it!



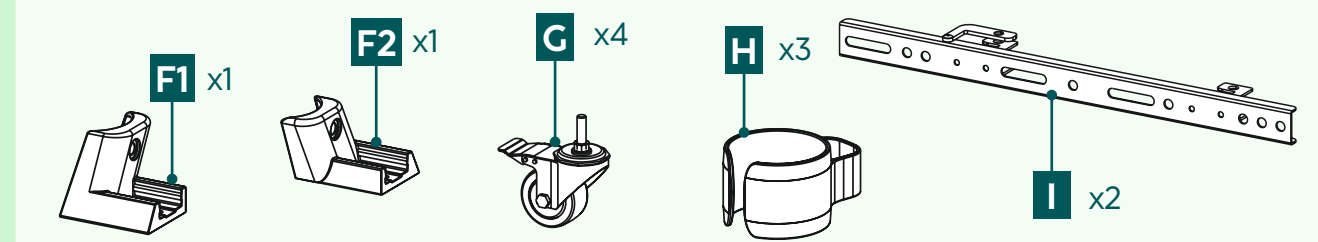
Quick Installation Guide

Required tools

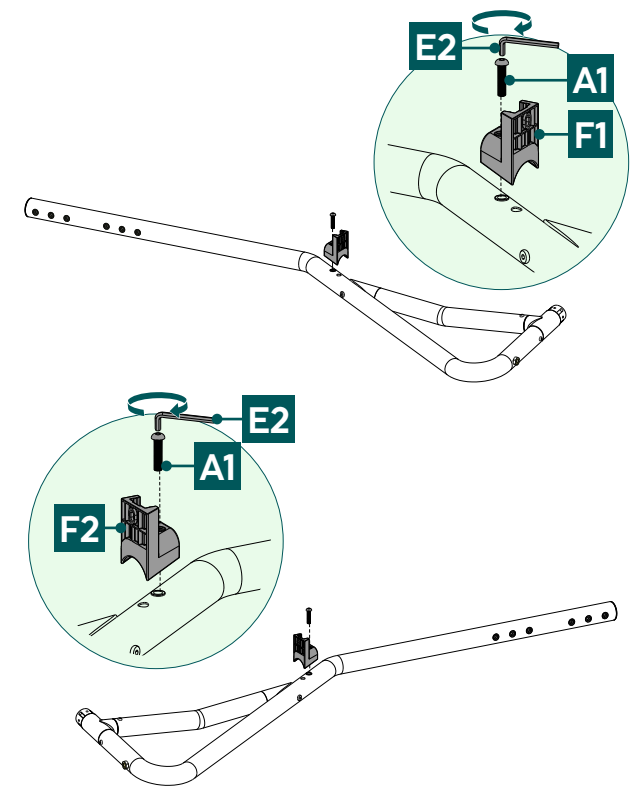


Installation kit

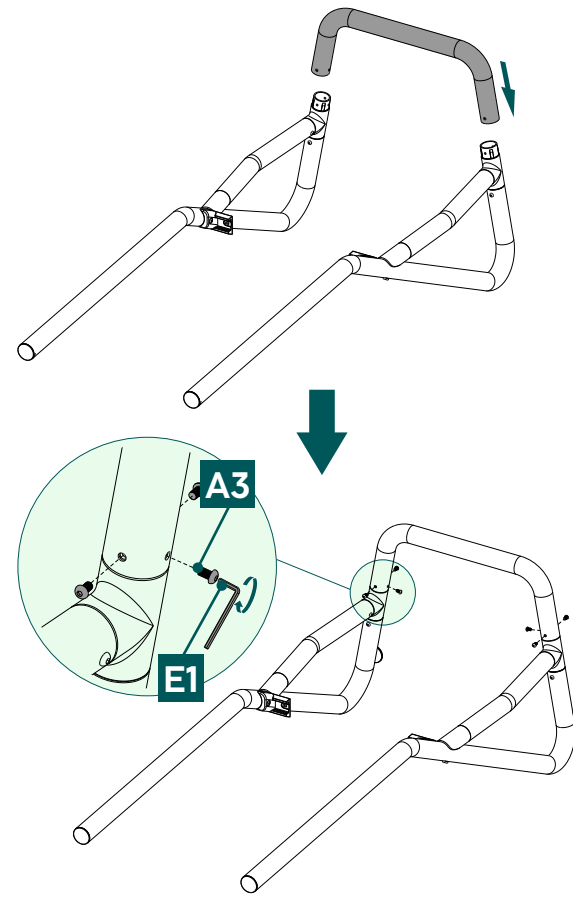
A1		M8x35 (x6)	C2		M6x20 (x4)
A2		M8x15 (x1)	D1		M8x12 (x4)
A3		M6x10 (x6)	D2		M8x20 (x4)
A4		M6x16 (x2)	D3		M8x30 (x4)
A5		M8 (x4)	D4		M8x50 (x4)
B1		M6/M8 (x4)	E1		4 mm (x1)
B2		M8x10 (x4)	E2		5 mm (x1)
B3		M8x20 (x4)	E3		17 mm (x1)
C1		M6x12 (x4)			



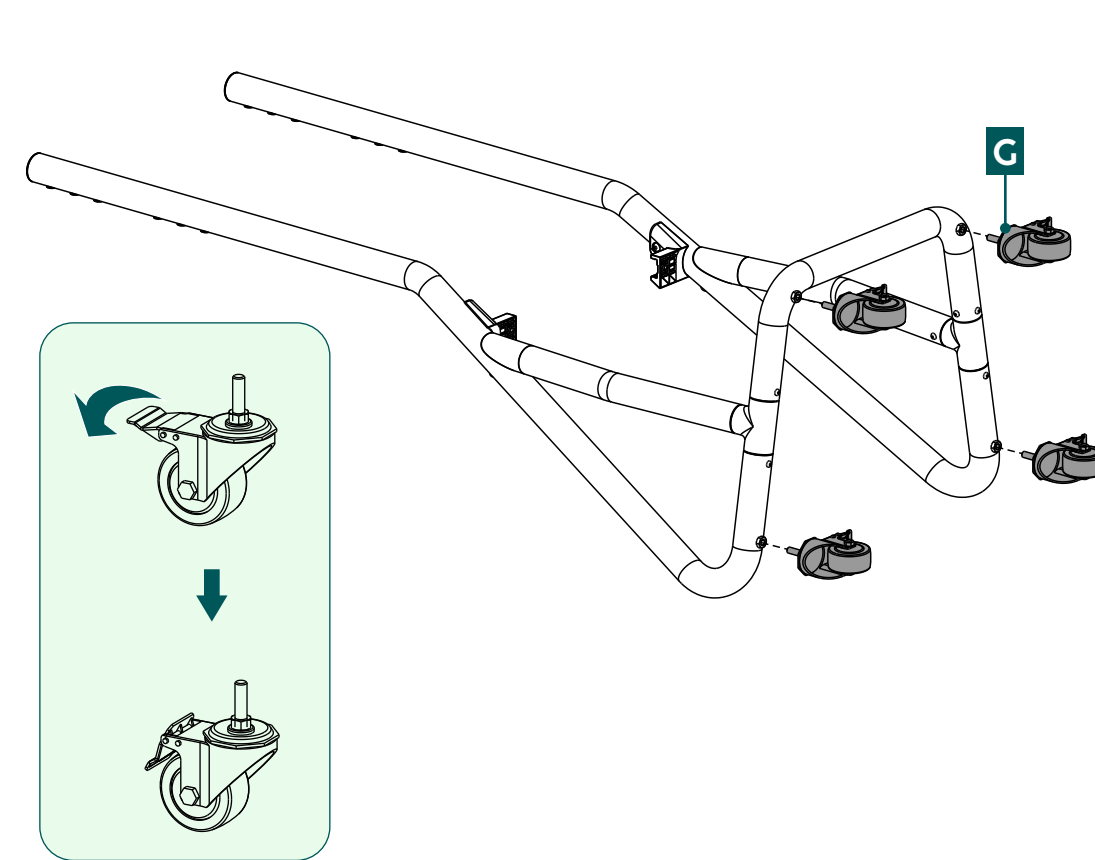
1 Assembling of the legs



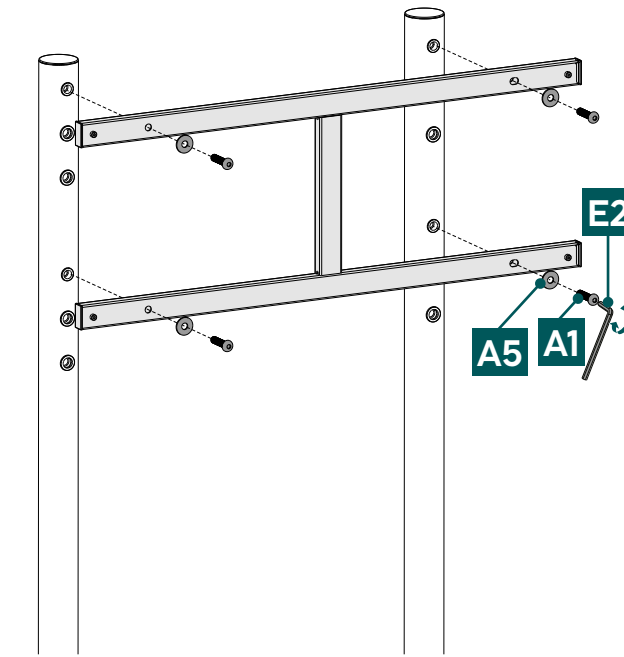
2 Assembling of the legs



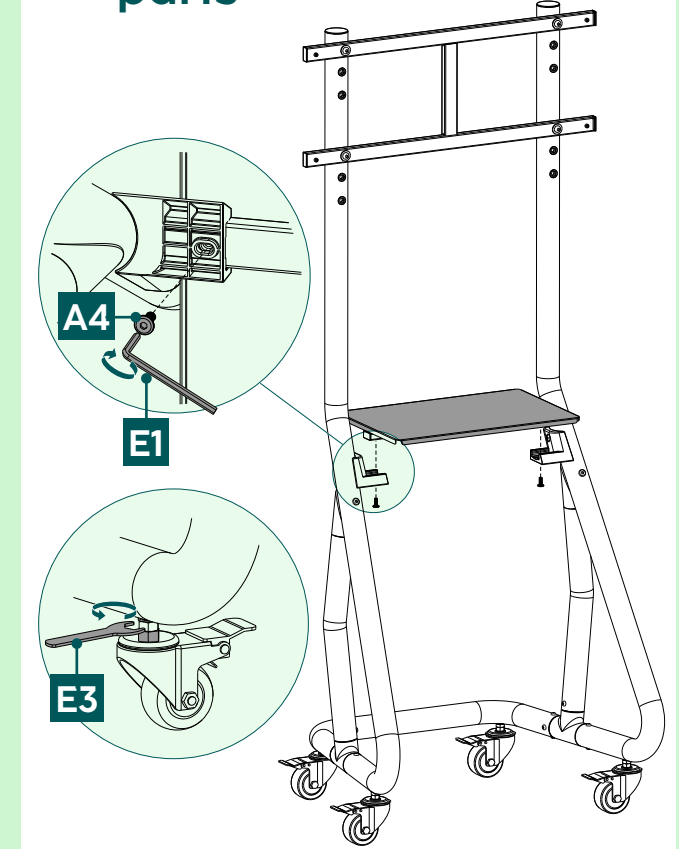
3 Mounting of the castors



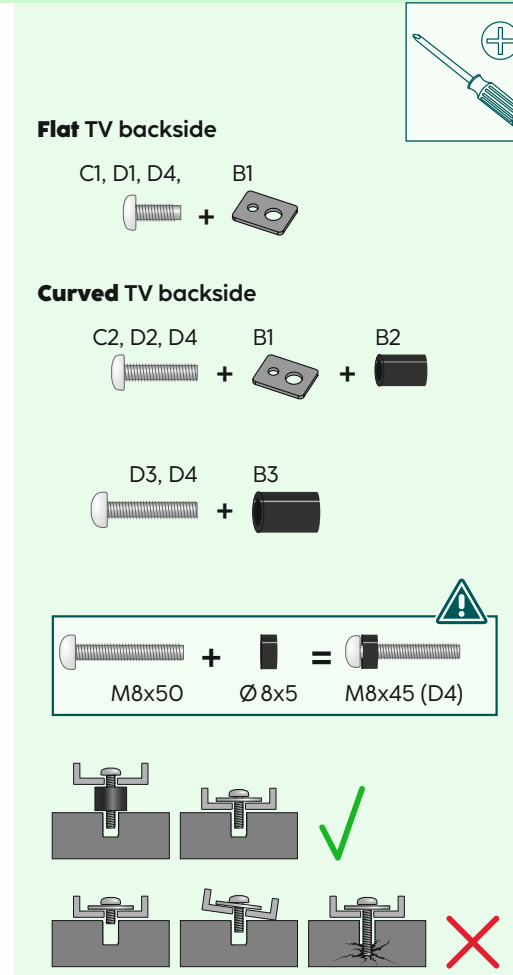
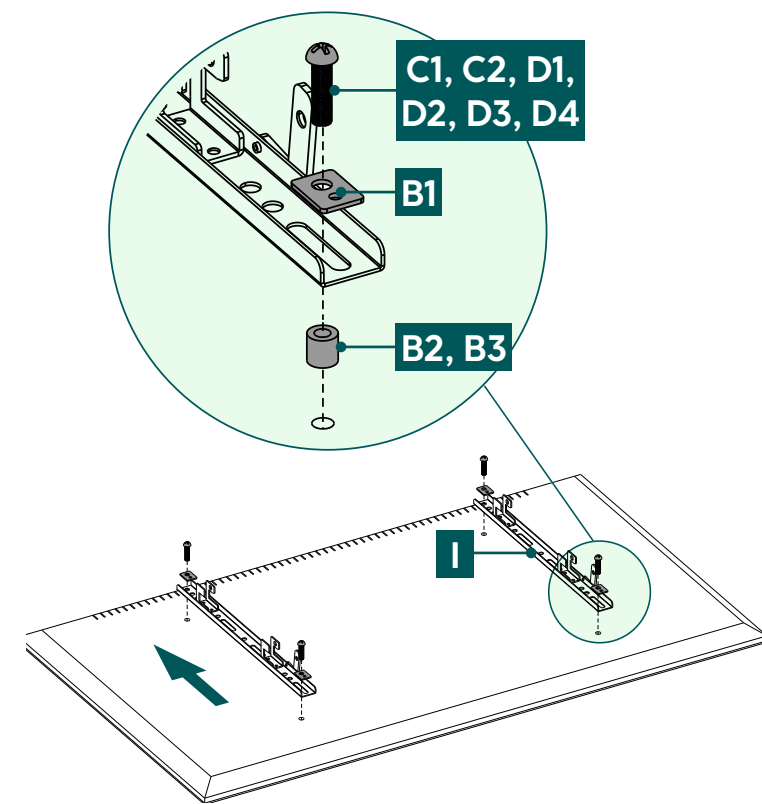
4 Assembling TV Plate



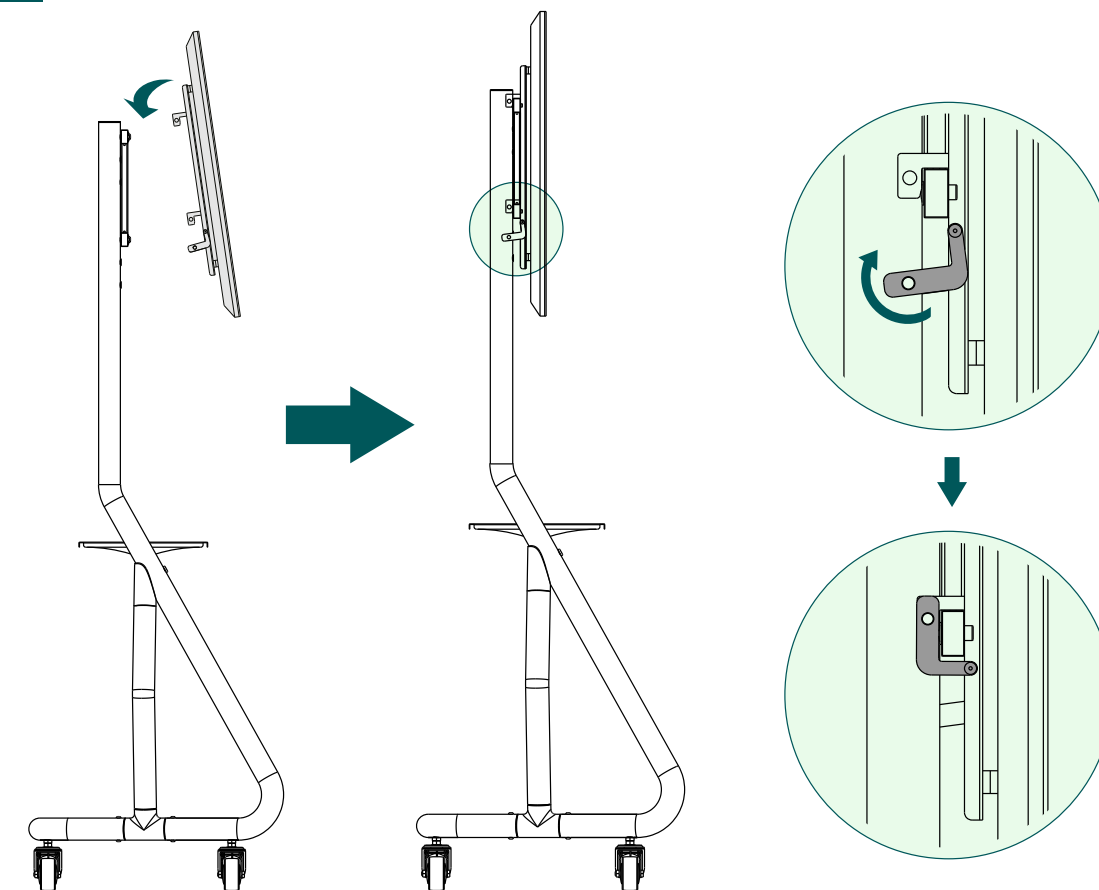
5 Fastening of the loose parts



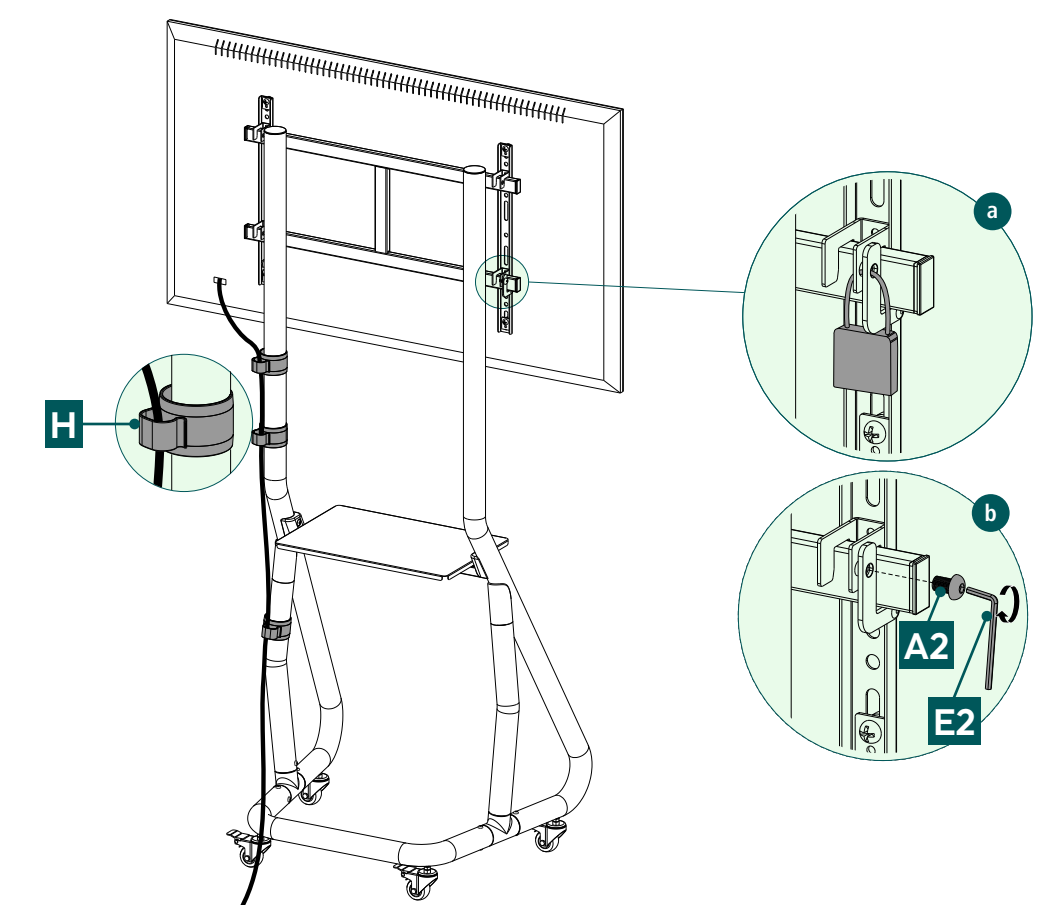
6 Mounting on backside of TV



7 Mounting the TV on the TV trolley



8 Securing & attach to run cables



Do you need more help?



Scan QR or visit:
support.hama.com/00220875

